

Sparex



Replacement Parts Suitable for
TE20 TRACTORS

Ferguson Black Prototype

Serial Numbers	Year of Manufacture
1 only Produced	1933

Ferguson Model "A"

Serial Numbers	Year of Manufacture
1-1250	1936-1938
1-550	1936-1938
551-1350	1936-1938

Built By David Brown

Ford 9N/9NAN/2N/2NAN With Ferguson System

Serial Numbers	Year of Manufacture
1-14643	1939
14644-47842	1940
47843-92362	1941
92363-107754	1942
107755-131782	1943
131783-174637	1944
174638-204128	1945
204129-267288	1946
267289-306221	1947

Built Deardorn USA

Ferguson TE20 Model Tractor

Serial Numbers	Year of Manufacture
1-314	1946
315-20894	1947
20895-77772	1948
77773-116461	1949
116462-167836	1950
167837-241335	1951
241336-310779	1952
310780-367998	1953
367999-428092	1954
428093-488578	1955
488579-517651	1956

Made by Standard Motor Company

Notes:-

- First Standard petrol engine used September 1947
- TE Continental and TE Standard engined tractors were built side by side up to serial No.48000
- Last Continental engine used July 1948
- First TED (Vaporizing Oil) model tractor built 1949
- 85mm Bore diameter increases began at Serial No.172501 January 1951
- 12 volt electrical system phased in from Serial No. 250001
- First TEF (Diesel) model tractor built January 1951

FERGUSON TRACTORS
TE20

TE01	Cooling System	Pgs	2-3
TE02	Front Axle, Steering & Related Components	Pgs	4-7
TE03	Engine Replacement Parts	Pgs	8-20
TE04	Clutch Assemblies & Components	Pg	21
TE05	Transmission & P.T.O. Components	Pgs	22-23
TE06	Brakes - Shoe & Disc Type	Pg	26
TE07	Hydraulic Pumps & Lift Components	Pgs	24-25
TE08	Rear Axle & Differential Components	Pg	27
TE09	Rear Linkage & Related Components	Pgs	28-32
TE10	Electrics & Instruments	Pgs	33-35
TE12	Fenders, Seats & Tractor Manuals	Pgs	36-39

c o n t e n t s



Please See Index for alternative O.E. part numbers 1

COOLING & RELATED COMPONENTS



	Sparex No.	Description	Equivalent	Tractor Model
1	S.60125	Water Pump - c/w Hub	830862M91	TE20, TO20, TO30 Continental Z120, Z129
2	S.40034	Water Pump - c/w Gasket	830862M91 1881805M91 1885489M91	TEA20, TED20, TEF20 Standard 80, 85mm, 20C Diesel
3	S.63097	Drain Tap (1/4" BSP)	826773M1	TEA20, TED20, TEF20 Standard 80, 85mm, 20C Diesel
4	S.40075	Seal - Water Pump	825374M1 1446130M1 2415216	TEA20, TED20, TEF20, FE35 Standard 80, 85mm, 20C Diesel
5	S.40085	Thermostat - (82° C/180°F)	1446165M91 2485666	TEA20, TED20, TEF20 Standard 80mm, 85mm, 20C Diesel
6	S.42732	Thermostat Housing	200781	TEA20, TED20 Standard 85mm
6	S.42948	Thermostat Housing	200480	TEF20 Standard 20C Diesel
7	S.41876	Fan Blade - Square Bolt Pattern	194046M91 521031M91 825181M91 3638250M91 3638342M91	TEA20, TED20 Standard 80, 85mm
7	S.42229 (USA S.60462)	Fan - Trapezoid Bolt Pattern	186819M91	TEA20, TED20 Standard 85mm
8	S.42743	Water Pump Pulley	825378M91	TEA20, TED20 Standard 85mm
9	S.42742	Water Pump Hub	825377M1	TEA20, TED20 Standard 85mm

2 Please See Index for alternative O.E. part numbers

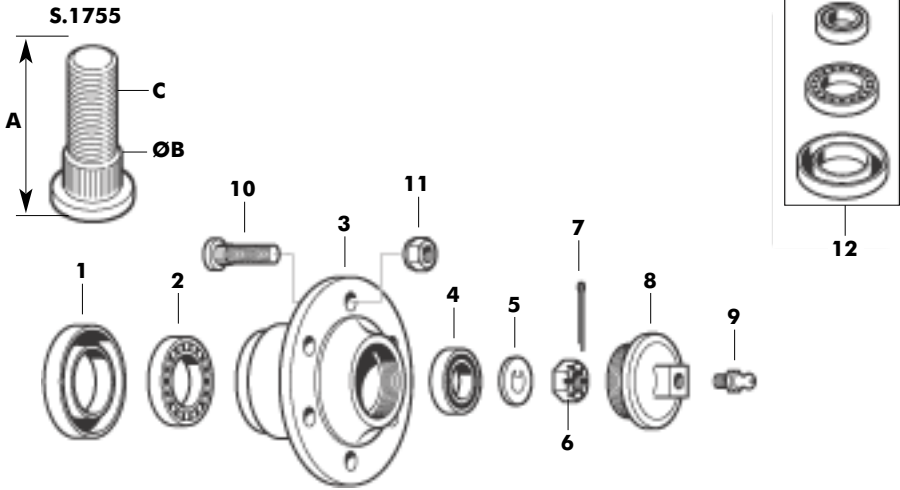
COOLING & RELATED COMPONENTS



	Sparex No.	Description	Equivalent	Tractor Models
1	S.40088	Fan Belt	641696M1	TEA20, TED20 Standard 85mm
1	S.40089	Fan Belt	826960M1	(TE20) (85mm with water pump on cylinder head), TEF20 Standard 85mm, 20C Diesel
1	S.18930	Fan Belt	-	Models with P3 Engine Conversion
2	S.42410	Radiator	9583 181623M1	TEA20, TED20 Standard 85mm
3	S.42731	Radiator Pad	190705M1	TE20, TEA20, TED20, TEF20, TO20 Standard 80, 85mm, 20C Diesel, Continental Z120
4	S.8452	Radiator Cap - 4lbs/30Kpa	825702M2 3637675M1 0150142	TEA 20, TED 20, TEF 20 Standard 80, 85mm, 20C Diesel
4	S.8453	Radiator Cap - 7lbs/50Kpa	3475308M1	TEA20, TED20, TEF20 This is a 7lb version of S.8452 4lb cap, can be used if working in extreme temperatures.
5	S.63110	Top Hose (use hose clip S.4330)	1568	TEA20, TED20, TEF20 Standard 85mm, 20C Diesel
5	S.60517	Top Hose - (8 5/8" Long) (use hose clip S.4330)	180085M1 182345M1	TE20, TO20 Continental Z120
6	S.41316	Bottom Hose (use hose clip S.4330)	7126 825667M1	TEA20, TED20 Standard 85mm
7	S.40023	Bottom Hose (use hose clip S.4330)	2413 825656M1	TEF20 Standard 20C Diesel
7	S.60522	Bottom Hose (use hose clip S.4330)	180145M1	TE20, TO20 Continental Z120
8	S.41317	By-Pass Hose (use hose clip S.4327)	57073 825684M1	TEA20, TED20 Standard 85mm
9	S.40080	By-Pass Hose (use hose clip S.4327)	60582	TEF20 Standard 85mm
10	S.12287	Radiator Sealant & System Conditioner 135ml	-	All models as required
11	S.12288	Radiator Sealant Pellets 25g	-	All models as required

Please See Index for alternative O.E. part numbers 3

FRONT AXLE, STEERING & RELATED COMPONENTS

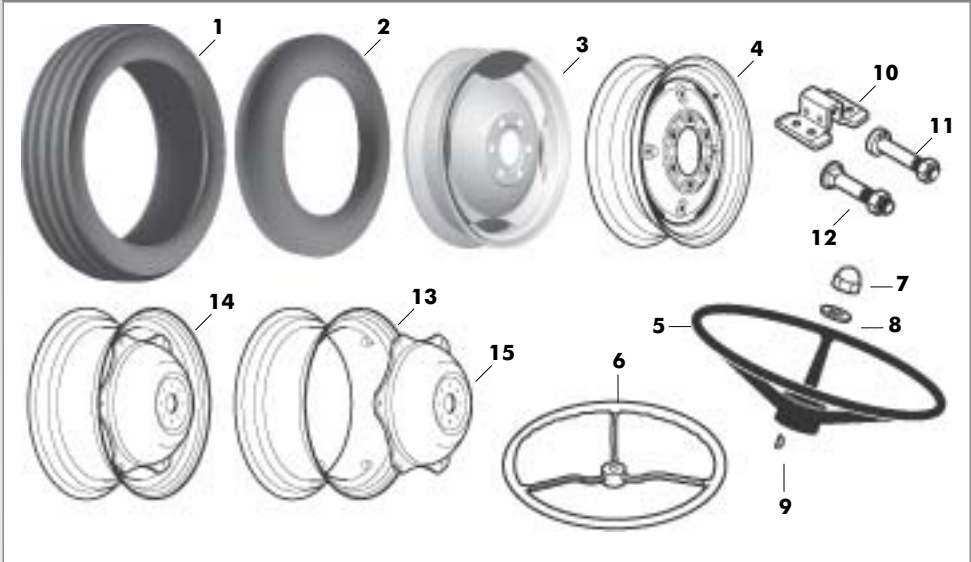


Models	1 Seal	2 Bearing	3 Hub	4 Bearing	5 Washer	6 Nut
TE20, TEA20, TED20, TEF20, TO20	S.2969 897363M1 Contained in kit S.2970	S.2967 1850224M91 Contained in kit S.2970	S.40243 898085M91	S.2968 150662M11 Contained in kit S.2970	S.11222 180010M1	S.40213 (3/4" UNF) 353928X1
Models	7 Split Pin	8 Hub Cap	9 Greaser	10 Stud/Bolt	11 Nut	12 Kit
TE20, TEA20, TED20, TEF20, TO20	S.1501 354068X1	S.40246 191142M1 1884289M1	S.821 200191M1	S.1755 181328M1 Stud / Bolt A=1.40" / 35.5mm B=0.58" / 14.6mm C=1/2" UNF	S.1756 195490M1 (1/2" UNF)	S.2970 1810391M91 Kit Contains: 1 x S.2969 1 x S.2967 1 x S.2968

4 Please See Index for alternative O.E. part numbers

These parts are Spares parts and are not manufactured by the Original Equipment Manufacturer. Original Manufacturers' names, part numbers and descriptions are quoted for reference purposes only and are not intended to indicate or suggest that our replacement parts are made by the OEM.

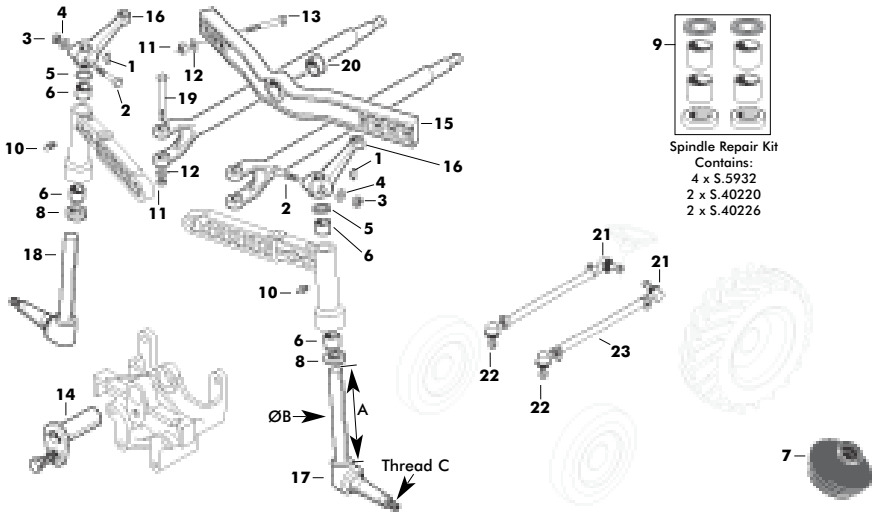
FRONT AXLE, STEERING & RELATED COMPONENTS



	Spares No.	Description	Equivalent	Tractor Models
1	S.78899	Tyre (400 x 19 x 4 ply)	-	TE20, TEA20, TED20, TEF20, T020
2	S.207	Tube (400 x 19)	-	TE20, TEA20, TED20, TEF20, T020
3	S.60504	Wheel Rim - Front (As OE original) (Rim Size = 350 x 19)	827168M1	TE20, TEA20, TED20, TEF20, T020
4	S.59044	Wheel Rim - Heavy Duty - Drilled to accept wheel weights (Rim Size = 400 x 19)	-	TE20, TEA20, TED20, TEF20, T020
4	S.40286	Wheel Rim (Rim Size - 450 x 16) (Tyre Size - 600 x 16)	506020M91 1883335M2	TE20, TEA20, TED20, TEF20, T020
5	S.41486	Steering Wheel - (Open Centre)	180576M1 899623M1	TE20, TEA20, TED20, TEF20, T020
6	S.61373	Steering Wheel - (Steel Spoke)	-	TEA20, TED20, TEF20, T020
7	S.40290	Dome Nut	195592M1	TE20, TEA20, TED20, TEF20, T020
8	S.40291	Washer	180577M1	TE20, TEA20, TED20, TEF20, T020
9	S.2911	Woodruff Key ($3/16'' \times 3/4''$)	2951X	TE20, TEA20, TED20, TEF20, T020
10	S.41607	Lug - Weld On (47mm Wide)	-	TE20, TEA20, TED20, TEF20, T020
11	S.4352	Bolt & Nut Assembly - ($2.88'' \times 5/8''$ UNF Pipped)	828217M1 353427X1	TE20, TEA20, TED20, TEF20, T020
12	S.65113	Bolt + Nut Assembly ($2.88'' \times 5/8''$ UNF - Cup Head Square)	-	TE20, TEA20, TED20, TEF20, T020
13	S.42169	Wheel Rim - Rear ($9'' \times 28''$) ($11'' \times 28''$ Tyre)	897137M92	TE20, TEA20, TED20, TEF20, T020
14	S.42194	Rim & Centre - Rear ($9'' \times 28''$) ($11'' \times 28''$ Tyre)	897137M92 1678566M1	TE20, TEA20, TED20, TEF20, T020
15	S.42170 (USA S.61133)	Disc - Wheel Centre - 28"	1882977M1 963613M1 1678566M1	TE20, TEA20, TED20, TEF20, T020

Please See Index for alternative O.E. part numbers 5

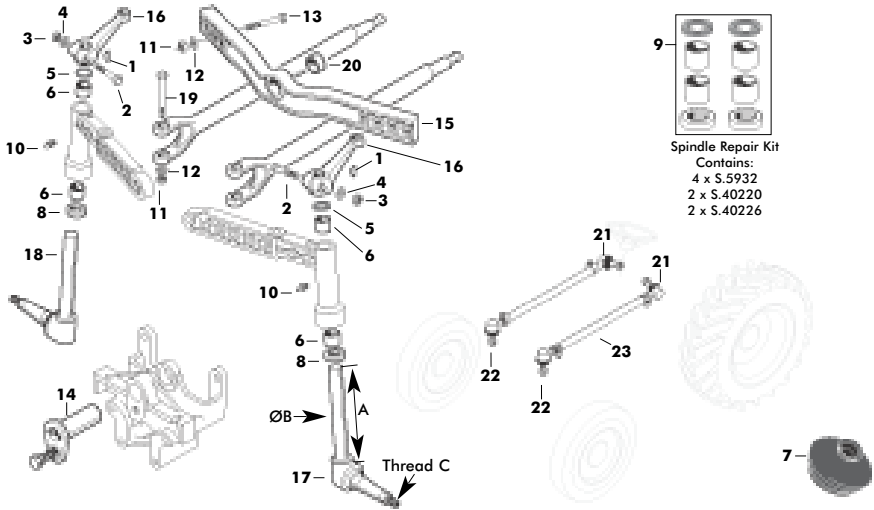
FRONT AXLE, STEERING & RELATED COMPONENTS



Sparex No.	Description	Equivalent	Tractor Models
1	S.2922 Woodruff Key - Spindle ($\frac{5}{16}$ " x $1 \frac{1}{4}$ ")	350355X1	TE20, TEA20, TED20, TEF20, T020
2	S.1075 Bolt - ($\frac{7}{16}$ " x $2 \frac{3}{4}$ " UNF)	353572X1	TE20, TEA20, TED20, TEF20, T020
3	S.1072 Nut - ($\frac{7}{16}$ " Hex.Plain - UNF)	353426X1	TE20, TEA20, TED20, TEF20, T020
4	S.1067 Spring Washer - ($\frac{7}{16}$ ")	353432X1	TE20, TEA20, TED20, TEF20, T020
5	S.40220 Dust Seal	180355M2	TE20, TEA20, TED20, TEF20, T020
6	S.5932 Bush - Top & Lower ($1 \frac{1}{4}$ ")	180345M1	TE20, TEA20, TED20, TEF20, T020
6	S.42244 Bush - Finished Version of S.5932	180345M1	TE20, TEA20, TED20, TEF20, T020
7	S.40193 Tie Rod Rubber	1885486M91	TE20, TEA20, TED20, TEF20, T020
8	S.40226 Bearing - Thrust	018560X 195175M1	TE20, TEA20, TED20, TEF20, T020
9	S.40217 Spindle Repair Kit - Contains: 4 x S.5932, 2 x S.40220: 2 x S.40226	-	TE20, TEA20, TED20, TEF20, T020
10	S.821 Grease Nipple ($\frac{1}{4}$ " UNF - Straight)	200191M1	TE20, TEA20, TED20, TEF20, T020
11	S.1002 Nut - ($\frac{5}{8}$ " Hex.Plain UNF)	353427X1	TE20, TEA20, TED20, TEF20, T020
12	S.4979 Flat Washer - ($\frac{5}{8}$ ")	353774X1	TE20, TEA20, TED20, TEF20, T020
13	S.51862 Bolt - ($\frac{5}{8}$ " x $3 \frac{1}{2}$ " UNF)	353625X1 377170M1	TE20, TEA20, TED20, TEF20, T020
13	S.40114 Bolt c/w Nyloc Nut - ($\frac{5}{8}$ " x 3 " UNF)	353623X1 376267X1	TE20, TEA20, TED20, TEF20, T020
14	S.42225 Axle Pin (USA S.60049)	825002M1	TE20, TEA20, TED20, TEF20 with later Axle, T020
15	S.60246 Axle Beam - Swept Back - Later Type	183219M91	TE20, TEA20, TED20, TEF20, T020
16	S.41863 Arm - Steering	180350M1	TE20, TEA20, TED20, TEF20, T020

6 Please See Index for alternative O.E. part numbers

FRONT AXLE, STEERING & RELATED COMPONENTS

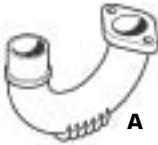


Spax No.	Description	Equivalent	Tractor Applications
17	S.15984 Spindle - LH (A=11", B=1 1/4", C=3/4" UNF)	180349M92 897415M91	TE20, TEA20, TED20, TEF20, T020
18	S.15985 Spindle - RH (A=11", B=1 1/4", C=3/4" UNF)	180346M92 897414M91	TE20, TEA20, TED20, TEF20, T020
19	S.53802 Bolt - (5/8" x 5 1/2")	354394X1 883303M1	TE20, TEA20, TED20, TEF20, T020
20	S.42621 Bush - Early Axle	180344M1	TE20, TEA20, TED20, TEF20, T020
20	S.40107 Bush - Late Axle/Steel - (3/4" Long)	182850M1	TEA20, TED20, TEF20, T020
20	S.42219 Bush - Bi Metal - 1 1/2" Long (Alternative to S.40107)	-	TEA20, TED20, TEF20, T020
21	S.42161 Drag Link End - LH Thread	893607M1 181582M91	TEA20, TED20, TEF20, T020
22	S.41962 Drag Link End - RH Thread	126920 825695M91	TEA20, TED20, TEF20, T020
23	S.61414 Drag Link - Tube Only (Length 32 3/4") use with S.40163 & S.40167 Tie Rod Ends	-	TE20, TEA20, TED20, TEF20, T020

Please See Index for alternative O.E. part numbers 7

REPLACEMENT ENGINE PARTS SILENCERS & RELATED COMPONENTS

**Elbow
(175° + 180°
- 2 Hole)**



Gasket



**Exhaust
Clamp**

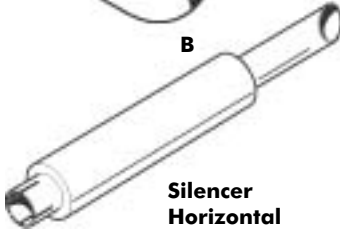
**Elbow
(180° - 3
Hole)**



Gasket



**Weather Cap
(Economy)**



**Silencer
Horizontal**



Weather Cap



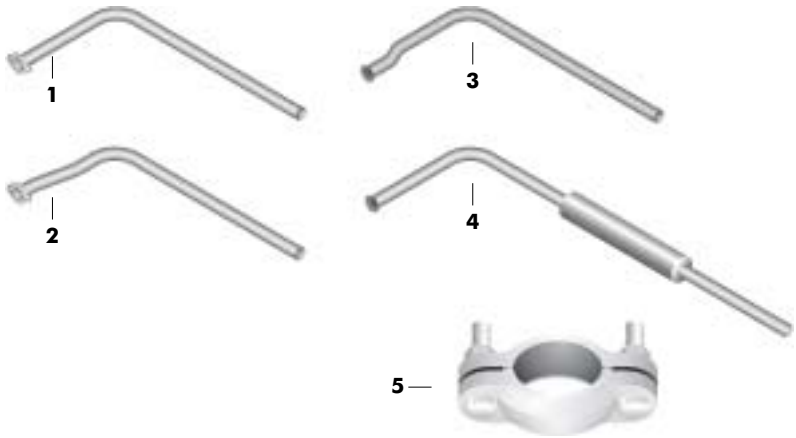
**Silencer
Vertical**

Tractor Model	Exhaust Elbow	Gasket	Silencer Vertical	Exhaust Clamp	Weather Cap	Silencer Horizontal
TE20 (Perkins P3.144 Conversion)	S.15549 898011M1 180° (3 Hole) B	S.40645 827877M1 (3 Hole)	S.2982 894291M91 (Length 102cm) (Aluminium Spray) or	S.6314 894297M1 (Vertical)	S.633 (Economy) S.14449 192791M91 Counter Balanced	
TEA20, TED20 Standard 80mm, 85mm, 20C Diesel	S.15981 640010M1 180° (2 Hole) A	S.40644 825003M1 (2 Hole)	S.6301 894291M91 (Length 110cm) (Aluminium Spray) or	S.6314 894297M1 (Vertical)	S.633 (Economy) S.14449 192791M91 Counter Balanced	
TEF20 Standard 20C Diesel	S.15804 824245M1 175° (2 Hole) A	S.40644 825003M1 (2 Hole)	S.3119 894291M91 (Length 110cm) (White Sand Textured) or S.2117 89429M91 Black Enamel	S.6314 894297M1 (Vertical) S.8876 180070M1 (Horizontal)	S.633 (Economy) S.14449 192791M91 Counter Balanced	S.6300 890476M91

8 Please See Index for alternative O.E. part numbers

These parts are Spares parts and are not manufactured by the Original Equipment Manufacturer. Original Manufacturers' names, part numbers and descriptions are quoted for reference purposes only and are not intended to indicate or suggest that our replacement parts are made by the OEM.

REPLACEMENT ENGINE PARTS SILENCERS & RELATED COMPONENTS



	Sparex No.	Description	Equivalent	Tractor Model
1	S.42428	Pipe - Down Swept Exhaust (use gasket S.40644)	8584 8756 826941M91 826958M91	TEA20 (85mm Petrol / TVO) (Plus TE20 Models with Perkins P3 conversion)
2	S.42512	Pipe - Down Swept Exhaust (use gasket S.40644)	8640 826990M91	TEF20 Standard 20C
3	S.42513	Down Swept Exhaust Pipe (use clamp S.60654)	-	TE20, TO20 Continental Z120
4	S.60791	Horizontal Silencer Assembly (use clamp S.60654)	505545M92 180460M1	TE20, TO20, TO30 Continental Z120, Z129
5	S.60654	Clamp	-	TE20, TO20, TO30 Continental Z120, Z129

Please See Index for alternative O.E. part numbers 9

REPLACEMENT ENGINE PARTS PISTON, LINER & RINGS



S.42273



S.42274



S.60738



S.42275

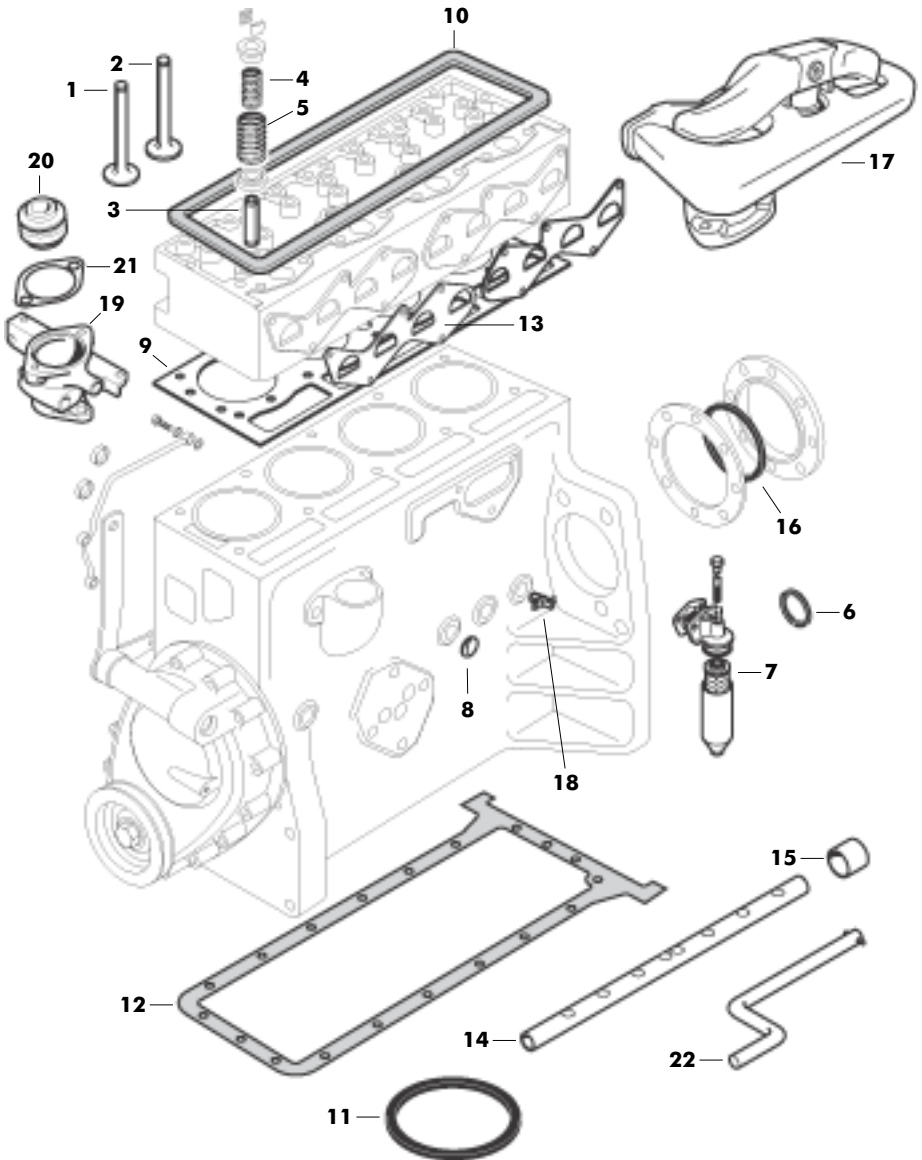


Tractor Models	Piston	Ring Set	Liner (Finished)	Liner (Un-finished)	Piston, Ring & Liner Kit (Finished)	Piston, Ring & Liner Kit (Un-finished)	Liner Gasket
TE20 (Perkins P3 Conversion)	S.40404 739845M91 55274	S.40418 745823M91 41158063		S.75967 0530017		S.66663	
TEA20 Standard 80mm Petrol		S.42483 825307M1 825306M1 825305M1 x 2			S.42273 (Single Cylinder Assembly)		S.42488 Gasket - Liner Seal
TEA20, TED20 Standard 85mm Petrol	S.75972 200570	S.41614 (5 Ring Layout)	S.42628 893007M1		S.42275 (Single Cylinder Assembly)		S.42488 Gasket - Liner Seal
TEF20 Standard 20C Diesel	S.75973 115741	S.42136 1881798M91 108643 108644 x 2	S.42626 106594F		S.42274 (Single Cylinder Assembly)		
TE20, TO20 Z120 Continental					S.60738 (Full Engine Set)		

10 Please See Index for alternative O.E. part numbers

REPLACEMENT ENGINE PARTS CYLINDER HEAD & ENGINE BLOCK

NB. Page Includes items for both Standard and Continental Engines



Please See Index for alternative O.E. part numbers 11

REPLACEMENT ENGINE PARTS CYLINDER HEAD & ENGINE BLOCK

Sparex No.	Description	Equivalent	Tractor Models
1	S.61902 Valve - Inlet Valve face angle: 45 Degrees Stem Diameter: 7.537mm 0.297" Head Size: 27.95mm 1.100"	101871 825388M1	(TEA20, TED20 S170174E>S225311E) Standard 85mm
1	S.40473 Valve - Inlet	101661	TEF20 Standard 20C Diesel
2	S.61904 Valve - Exhaust Valve face angle: 45 Degrees Stem Diameter: 7.825mm 0.308" Head Size: 26.9mm 1.058"	100652 825369M1	(TEA20, TED20 Except S120501E>S121954E) Standard 80mm, 85mm
2	S.40483 Valve - Exhaust	101662 110926	TEF20 Standard 20C Diesel
3	S.60193 Guide - Valve (Inlet & Exhaust)	825259M1	TEA20, TED20 Standard 85mm
4	S.40498 Spring - Valve - Inner	103369	TEF20 Standard 20C Diesel
5	S.40503 Spring - Valve - Outer	103368	TEF20 Standard 20C Diesel
5	S.61906 Spring - Valve	825186M1	TEA20 Standard 85mm
6	S.41725 Seal - Rear Crankshaft (Split Rubber)	825208M1	TEA20, TED20 Standard 85mm
7	S.40535 Filter - Oil (Cartridge Type)	1882916M1 1896000M91 26560090	TEA20, TED20 Standard 85mm
7	S.60545 Filter - Oil (Cartridge Type)	841244M91	TE20, TO20 Continental Z120
7	S.57751 Filter - Oil (Cartridge Type)	826137M91 894976M91	TEF20 Standard 20C Diesel
8	S.538 Core Plug - Flat Type (44.75mm - 1 3/4")	825102M1 195644M1	TEA20, TED20, TEF20 Standard 80mm, 85mm, 20C Diesel
9	S.42253 Head Gasket	202084	TEA20, TED20 Standard 85mm
9	S.42723 Head Gasket	1750336M1	TE20, TO20 Continental Z120
9	S.43009 Head Gasket (FEROFLEX)	61849	TEA20 Standard 80mm
9	S.40617 Head Gasket	61153	TEF20 Standard 20C Diesel
10	S.42393 Gasket - Valve Cover	829029M1	TEA20, TED20 Standard 80mm, 85mm
10	S.40628 Gasket - Valve Cover	61396	TEF20 Standard 20C Diesel
10	S.43042 Gasket - Valve Cover	1750002M1	TE20, TO20 Continental Z120

12 Please See Index for alternative O.E. part numbers

REPLACEMENT ENGINE PARTS CYLINDER HEAD & ENGINE BLOCK

Spares No.	Description	Equivalent	Tractor Models
11	S.42721 Seal - Oil Filter Cover - Sump	1750269M1	TE20, TO20 Continental Z120
12	S.41726 Gasket - Sump	825654M1	TEA20, TED20 Standard 80mm, 85mm
12	S.42722 Gasket - Sump	1750024M1	TE20, TO20 Continental Z120
13	S.42394 Gasket - Exhaust Manifold to Head	825194M2	TEA20, TED20 Standard 80mm, 85mm
13	S.60870 Gasket - Manifold	1750045M1	TE20, TO20 Continental Z120
14	S.60127 Rocker Shaft	825395M2	TE20, TO20, TO30 Continental Z120
15	S.60327 Rocker Bush (Set of 8 Unfinished)	164592M1	TE20, TO20 Continental Z120
16	S.42233 Seal - Rear Crankshaft	1884098M1 826046M1	TEF20 Standard 20C Diesel
17	S.60036 Manifold	1040903M91 1750343M91	TE20, TO20, TO30 Continental Z120, Z129
18	S.8440 Drain Tap ($\frac{1}{4}$ " BSP Taper)	1851095M2 31419	TEA20, TED20 Standard 85mm
19	S.42732 Thermostat Housing	200781	TEA20, TED20 Standard 85mm
19	S.42948 Thermostat Housing	200480	TEF20 Standard 20C Diesel
20	S.40085 Thermostat - (82° C/180°F)	1446165M91 2485666	TEA20, TED20, TEF20 Standard 80mm, 85mm, 20C Diesel
21	S.41347 Gasket - Thermostat	1650482M1 0490184	TEA20, TED20, TEF20 Standard 80mm, 85mm, 20C Diesel
21	S.42719 Gasket - Thermostat	181528M1	TE20, TO20 Continental Z120
22	S.13008 Starting Handle	4164	TE20, TEA20, TED20 Standard 80mm, 85mm, Continental Z120

Please See Index for alternative O.E. part numbers 13

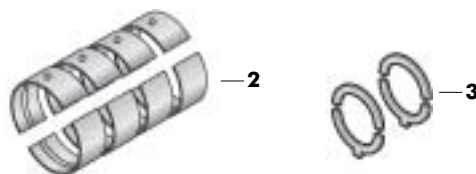
REPLACEMENT ENGINE PARTS



Spares No.	Description	Equivalent	Tractor Models
1 S.42359 (USA S.60928)	Conrod Bearing Set - STD	554314M91 1810083M91	TEA20, TED20 Standard 85mm
1 S.42360 (USA S.60929)	Conrod Bearing Set - 0.010"	554316M91 1810084M91	TEA20, TED20 Standard 85mm
1 S.42361 (USA S.60930)	Conrod Bearing Set - 0.020"	554317M91 1810085M91	TEA20, TED20 Standard 85mm
1 S.42425 (USA S.60931)	Conrod Bearing Set - 0.030"	554318M91 1810086M91	TEA20, TED20 Standard 85mm
1 S.60932	Conrod Bearing Set - 0.040"	554319M91 1810087M91	TEA20, TED20 Standard 85mm
1 S.60891	Conrod Bearing Set - STD	-	TE20, TO20, TO30 Continental Z120, Z129
1 S.60892	Conrod Bearing Set - 0.010"	-	TE20, TO20, TO30 Continental Z120, Z129
1 S.60893	Conrod Bearing Set - 0.020"	-	TE20, TO20, TO30 Continental Z120, Z129
1 S.60894	Conrod Bearing Set - 0.030"	-	TE20, TO20, TO30 Continental Z120, Z129
1 S.60895	Conrod Bearing Set - 0.040"	-	TE20, TO20, TO30 Continental Z120, Z129
1 S.42366	Conrod Bearing Set - STD	830899M91 554326M91	TEF20 Standard 20C Diesel
1 S.42499	Conrod Bearing Set - 0.010"	830900M91 554327M91	TEF20 Standard 20C Diesel
1 S.42500	Conrod Bearing Set - 0.020"	830901M91 554328M91	TEF20 Standard 20C Diesel
1 S.42501	Conrod Bearing Set - 0.030"	894947M91 830902M91 554329M91	TEF20 Standard 20C Diesel
1 S.42502	Conrod Bearing Set - 0.040"	826085M1 830903M91 554330M91	TEF20 Standard 20C Diesel

14 Please See Index for alternative O.E. part numbers

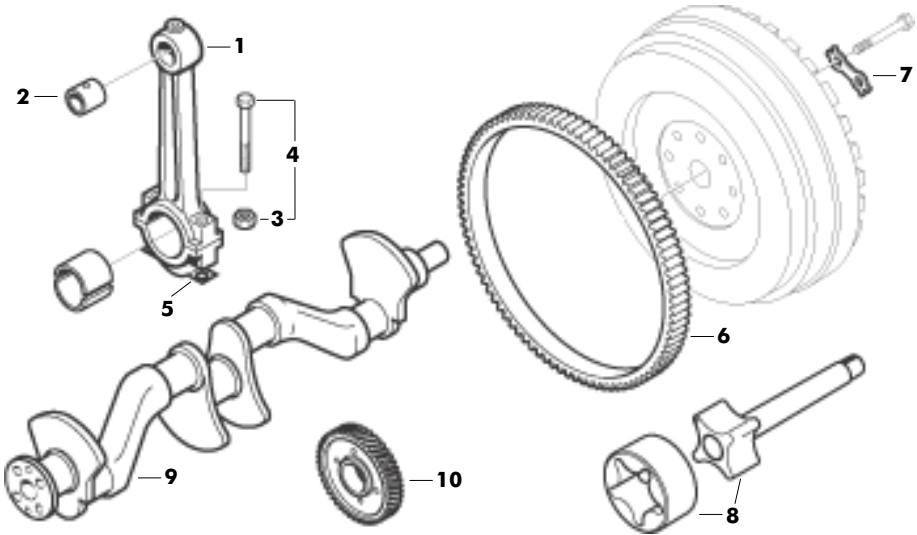
REPLACEMENT ENGINE PARTS



Sparex No.	Description	Equivalent	Tractor Models	
2	S.42362 (USA S.60933)	Main Bearing Set - STD	554320M91 825840M91	TEA20, TED20 Standard 85mm
2	S.42363 (USA S.60934)	Main Bearing Set - 0.010"	554322M91 825837M91	TEA20, TED20 Standard 85mm
2	S.42364 (USA S.60935)	Main Bearing Set - 0.020"	554323M91 825982M91	TEA20, TED20 Standard 85mm
2	S.42426	Main Bearing Set - 0.030"	554324M91 825983M91	TEA20, TED20 Standard 85mm
2	S.60936	Main Bearing Set - 0.040"	554325M91 825984M91	TEA20, TED20 Standard 85mm
2	S.60896	Main Bearing Set - STD	-	TE20, TO20, TO30 Continental Z120, Z129
2	S.60897	Main Bearing Set - 0.010"	-	TE20, TO20, TO30 Continental Z120, Z129
2	S.60898	Main Bearing Set - 0.020"	-	TE20, TO20, TO30 Continental Z120, Z129
2	S.60899	Main Bearing Set - 0.030"	-	TE20, TO20, TO30 Continental Z120, Z129
2	S.60900	Main Bearing Set - 0.040"	-	TE20, TO20, TO30 Continental Z120, Z129
2	S.42367	Main Bearing Set - STD	554332M91 830897M91	TEF20 Standard 20C Diesel
2	S.42368	Main Bearing Set - 0.010"	554328M91 830898M91	TEF20 Standard 20C Diesel
2	S.42369	Main Bearing Set - 0.020"	554329M91 894944M91	TEF20 Standard 20C Diesel
2	S.42370	Main Bearing Set - 0.030"	554330M91 894945M91	TEF20 Standard 20C Diesel
2	S.42371	Main Bearing Set - 0.040"	554331M91 894946M91	TEF20 Standard 20C Diesel
3	S.42365	Thrust Washers STD	825111/2M1	TEA20, TED20 Standard 85mm
3	S.42427	Thrust Washers STD	826239/40M1	TEF20 Standard 20C Diesel

Please See Index for alternative O.E. part numbers 15

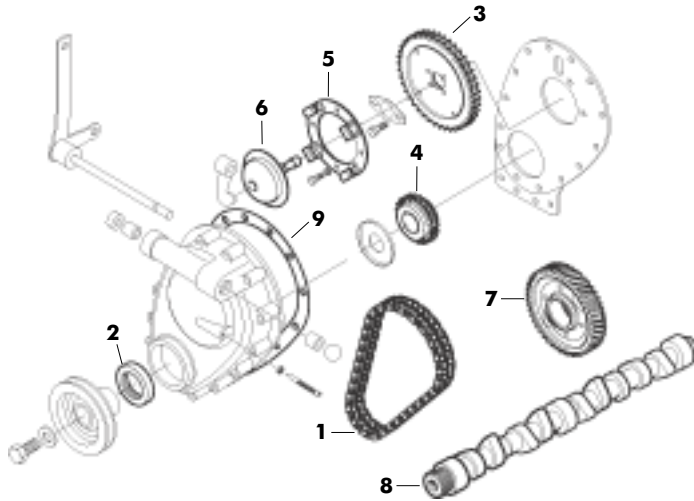
REPLACEMENT ENGINE PARTS CRANKSHAFT & RELATED COMPONENTS



Sparex No.	Description	Equivalent	Tractor Models
1	S.40357 Connecting Rod	3637439M91 ZZ90011	TE20 (Perkins P3 Conversion)
2	S.40360 Small End Bush	740407M1 31134151	TE20 (Perkins P3 Conversion)
2	S.42573 Small End Bush	825146M1	TEA20, TED20 Standard 80mm, 85mm
3	S.41328 Connecting Rod Nut	377185X1 1476245X1 33221327	TE20 (Perkins P3 Conversion)
4	S.40362 Connecting Rod Bolt & Nut Assembly	377185X1 375756X1 33221327 0095250	TE20 (Perkins P3 Conversion)
5	S.42420 Lock Plate - Connecting Rod	825140M1	TEA20, TED20 Standard 80mm, 85mm
6	S.40364 Starter Ring Gear	731008M1 0410236	TE20 (Perkins P3 Conversion)
6	S.42422 Starter Ring Gear	825452M1	TEA20, TED20 Standard 80mm, 85mm
6	S.42727 Ring Gear	1750034M1	TE20, TO20 Continental Engine Z120
7	S.40347 Flywheel Lock Tab	731192M1 0921062	TE20 (Perkins P3 Conversion)
7	S.42689 Lock Plate - Flywheel Bolt	825179M1	TEA20, TED20 Standard 80mm, 85mm
8	S.61996 Shaft & Rotor Assembly	827501M91	TEA20, TED20 Standard 80mm, 85mm
8	S.42863 Shaft & Rotor Assembly	827615M91	TEF20 Standard 20C Diesel
9	S.42688 Crankshaft	825216M1	TEA20, TED20 Standard 80mm, 85mm
9	S.42843 Crankshaft	1750280M1	TE20, TO20 Continental Engine Z120
10	S.61041 Gear - Crankshaft	1750284M1	TE20, TO20 Continental Engine Z120

16 Please See Index for alternative O.E. part numbers

REPLACEMENT ENGINE PARTS TIMING GEARS, CHAINS & RELATED COMPONENTS

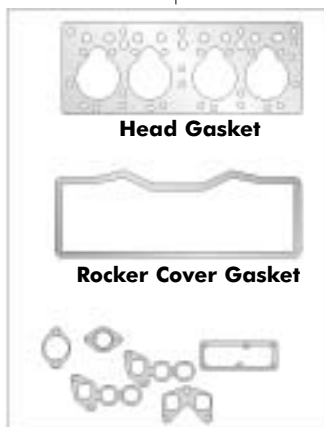


	Sparex No.	Description	Equivalent	Tractor Models
1	S.60909	Timing Chain (58 Links)	57151 825886M1 825199M1 891035M1	TEA20, TED20 Standard 80mm, 85mm
1	S.41616	Timing Chain (86 Links)	61471	TEF20 Standard 20C Diesel
2	S.42195	Seal - Front Timing Cover	825740M1	TEA20, TED20, TEF20 Standard 80mm, 85mm, 20C Diesel
3	S.42418	Camshaft Sprocket	825135M1	TEA20, TED20 Standard 80mm, 85mm
3	S.61637	Camshaft Sprocket	826089M1	TEF20 Standard 20C Diesel
4	S.42419	Crankshaft Sprocket	825136M1	TEA20, TED20 Standard 80mm, 85mm
4	S.61346	Crankshaft Sprocket	826048M1	TEF20 Standard 20C Diesel
5	S.42423	Governor Weight Assembly	825890M91	TEA20, TED20 Standard 80mm, 85mm
6	S.42421	Cup & Shaft	825157M91	TEA20, TED20 Standard 80mm, 85mm
7	S.61042	Camshaft Gear	1750237M1	TE20 Continental Z120
8	S.60104	Camshaft	836543M91	TE20 Continental Z120
9	S.42487	Gasket - Timing Cover	825649M2	TEA20, TED20, TEF20 Standard 80mm, 85mm, 20C Diesel
9	S.42720	Gasket - Timing Cover	7134 1750274M1	TE20, TO20 Continental Z120

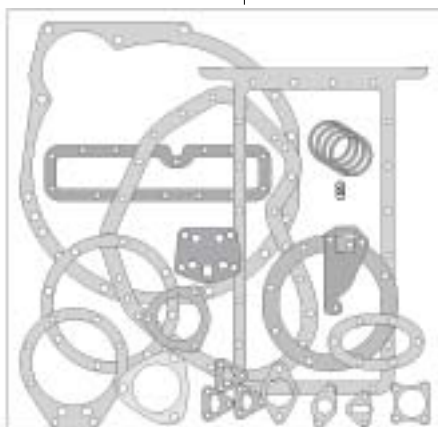
Please See Index for alternative O.E. part numbers 17

REPLACEMENT ENGINE PARTS TOP & BOTTOM GASKET SET

Top Gasket Set



Bottom Gasket Set



Tractor Model	Top Gasket Set	Bottom Gasket Set	Head Gasket	Rocker Cover Gasket
TEA20 Standard 80mm	S.43010 -	S.42631 894915M91	S.43009 61489	S.42393 829029M1
TEA20, TED20 Standard 85mm Petrol/TVO Engines	S.42085 501923	S.42631 894915M91	S.42253 202084	S.42393 829029M1
TEF20 Standard 20C Diesel	S.40586 106387	S.40602 894916M91	S.40617 61153	S.40628 61396
TE20, TO20, TO30 Continental Z120, Z129		S.61501 830631M91 Complete Overhaul Kit Less Crank Seals S.61503 1750216M92 1750112M1 Crankshaft Seal Kit		

18 Please See Index for alternative O.E. part numbers

REPLACEMENT ENGINE PARTS FUEL SYSTEM & RELATED PARTS



	Sparex No.	Description	Equivalent	Tractor Models
1	S.40557	Fuel Lift Pump - c/w Gasket	1884857M91	TEF20 Standard 20C Diesel SJ37181E > S/N
2	S.40540	Fuel Filter - Primary + Secondary - Early Models	1850450M2 894974M91 32327	TEF20 Standard 20C Diesel
3	S.40541	Fuel Filter - Secondary - Later Models	31944 CAV71111-44	TEF20 Standard 20C Diesel
4	S.42417	Hose - Carburettor	1575 825004M1	TEA20, TED20 Standard 85mm
5	S.64146	Hose - Air Cleaner to Pipe	1326	TE20, TEA20, TED20, TO20
6	S.42413	Fuel Tank - Petrol 2 outlets to cover both Standard & Continental Engines	4477 9623	TE20, TEA20 Standard 80mm, 85mm, Continental Z120
7	S.42414	Fuel Tank - Petrol / TVO	9642	TED20 Standard 85mm
8	S.42856	Fuel Tank - Diesel	2515	TEF20 Standard 20C Diesel
9	S.58926	Fuel Tank Cap - Brass	-	TE20, TEA20 Standard 80mm, 85mm, Continental Z120 > S/N 200000
9	S.42569	Fuel Tank Cap - Aluminium	1897	TEA20, TED20, TEF20 Standard 80mm, 85mm, 20C Diesel
10	S.10389	O Ring to fit S.42569 Cap	-	TEA20, TED20, TEF20 Standard 80mm, 85mm, 20C Diesel
11	S.42540	Carburettor Repair Kit	24T2	TEA20, TED20 (Zenith 24T2 Carburettor) Standard 85mm

Please See Index for alternative O.E. part numbers 19

REPLACEMENT ENGINE PARTS FUEL SYSTEM & RELATED PARTS

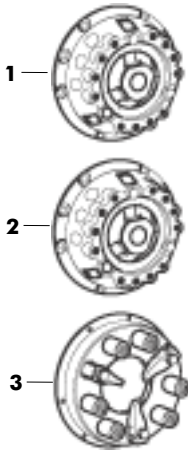


Sparex No.	Description	Equivalent	Tractor Models
12	S.66446 Carburettor Repair Kit - Basic	-	TE20, TO20 (Marvel Carburettor)
13	S.61576 Carburettor Float	825236M1	TEA20 Standard 80mm, 85mm, Zenith Carburettor > S/N SC93749E
14	S.42554 Hose - Engine Breather	825007M1	TEA20, TED20 Standard 80mm, 85mm
15	S.42566 Air Intake Hose	7330 180362M1	TEA20, TED20 Standard 80mm, 85mm
15	S.60094 Air Intake Hose	181715M1	TO20 Continental Z120
16	S.42685 Banjo Bolt c/w Filter - Tap to Tank TVO Version	1850167M91	TED20 Standard 85mm
17	S.61577 Sediment Bowl Assembly	632948M92	TEA20, TED20 Standard 80mm, 85mm
18	S.61578 Sediment Bowl Assembly	-	TE20, TO20 Continental Z120

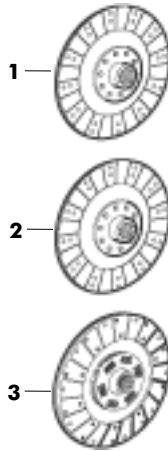
20 Please See Index for alternative O.E. part numbers

CLUTCH & RELATED COMPONENTS

Cover Assembly



Main Plate



Thrust Bearing Clutch Release



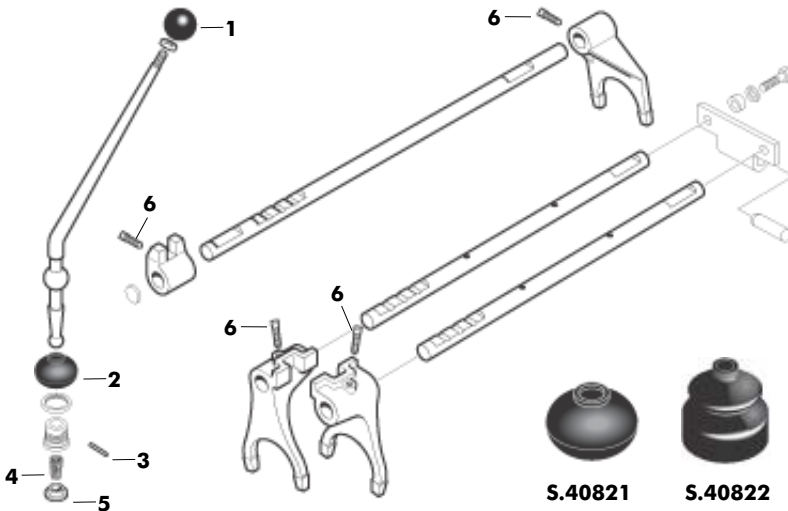
Pilot Bearing



	Tractor Model	Cover Assembly	Main Plate	Main Plate Dimensions ins/mm	Release Bearing	Pilot Bearing
1	TEF20	S.72898 8780 10" Single with release plate S.73005 cover without release plate	S.42168	OD x Hub x Splines 10"x1 3/8" x 10 254 x 34.9 x 10	S.65334 4069 501608 Alternative S.65335	S.40734 828123M1
2	TEA20, TED20	S.72899 2641 9" Single	S.42167 8572	9" x 1 3/8" x 10 229 x 34.9 x 10	S.65334 4069 501608 Alternative S.65335	S.40734 828123M1
3	TO20, TO30 Z120, Z129 Continental Engines	S.60802 185923M91 9" Single	S.60693 180241M91 181141M91	9" x 1 3/8" x 10 229 x 34.9 x 10	S.65334 4069 501608 Alternative S.65335	S.40734 828123M1

Please See Index for alternative O.E. part numbers 21

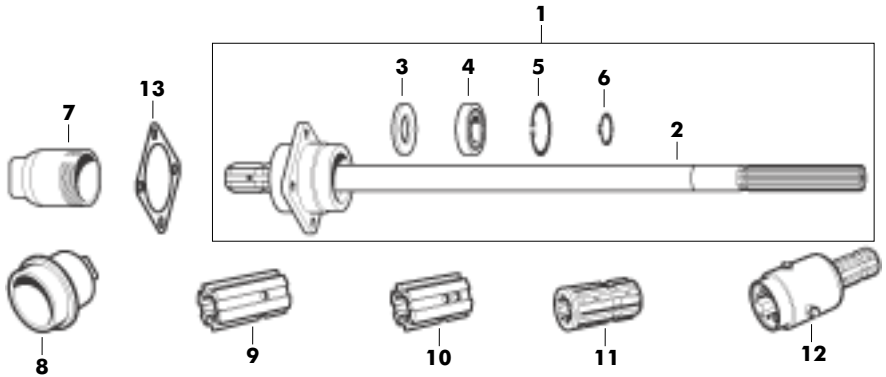
6 SPEED SELECTORS



	Sparex No.	Description	Equivalent	Tractor Models
1	S.641	Knob - Gear Stick - (3/8" UNF) (Without Gear Shift Markings)	180006M1	TE20, TEA20, TED20, TEF20, TO20
2	S.40821	Boot - Gear Lever Gaiter (Alternative to S.40822)	180579M3 520858M1	TE20, TEA20, TED20, TEF20, TO20
3	S.41552	Pin - Locking	180581M1 1678440M1	TE20, TEA20, TED20, TEF20, TO20
4	S.41555	Spring - Gear Lever Tension	180582M1 192007M1	TE20, TEA20, TED20, TEF20, TO20
5	S.41973	Cup - Seat	180583M1 1861024M1	TE20, TEA20, TED20, TEF20, TO20
6	S.41557	Screw - Locking	180002M1 881144M1	TE20, TEA20, TED20, TEF20, TO20

22 Please See Index for alternative O.E. part numbers

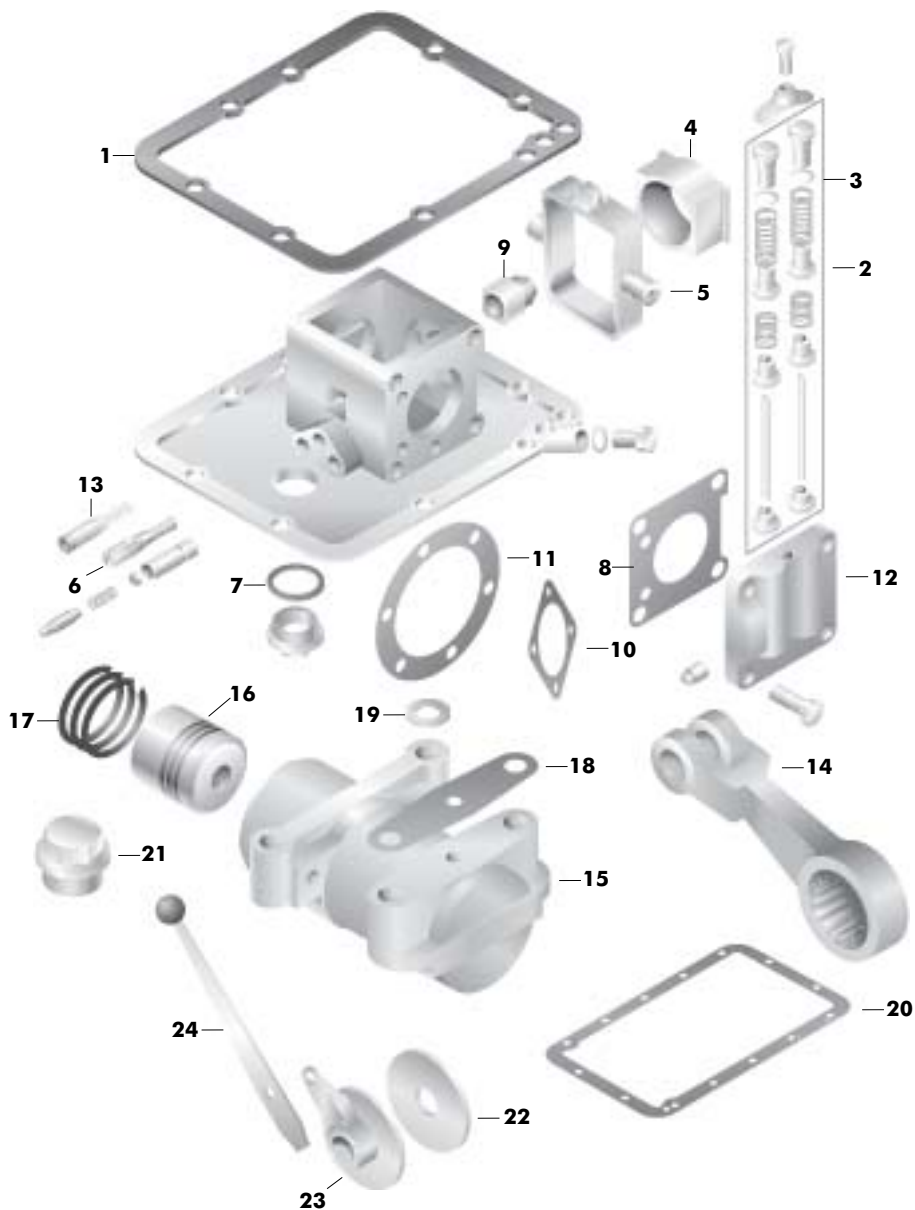
TRANSMISSION & P.T.O. COMPONENTS



	Sparex No.	Description	Equivalent	Tractor Models
1	S.280	P.T.O. Conversion Kit - (Converts 1 1/8" - 1 3/8" P.T.O)	-	TE20, TEA20, TED20, TEF20, TO20
2	S.17650 (USA S.60651)	P.T.O. Shaft - (1 3/8")	-	TE20, TEA20, TED20, TEF20, TO20 Fits S.280 Conversion Kit
3	S.17658 (USA S.65359)	Seal	-	TE20, TEA20, TED20, TEF20, TO20 Fits S.280 Conversion Kit
3	S.41867	Seal	1190	TE20, TEA20, TED20, TEF20, TO20
4	S.18056	Bearing	GA1773 1440494X1	TE20, TEA20, TED20, TEF20, TO20 Fits S.280 Conversion Kit
5	S.55112	Circlip - (62mm Internal)	-	TE20, TEA20, TED20, TEF20, TO20 Fits S.280 Conversion Kit
6	S.2882	Circlip - (30mm External)	1441637X1	TE20, TEA20, TED20, TEF20, TO20 Fits S.280 Conversion Kit
7	S.65894 (USA S.60456)	P.T.O. Cap	-	TE20, TEA20, TED20, TEF20, TO20 Fits S.280 Conversion Kit
8	S.41310	P.T.O. Cap	1105	TE20, TEA20, TED20, TEF20, TO20
9	S.249	Sleeve Increaser - 1 1/8" x 1 3/8" (Length 2 3/16" - 56mm)	180022M1	TE20, TEA20, TED20, TEF20, TO20
10	S.250	Sleeve Increaser - 1 1/8" x 1 3/8" (Length 1 7/8" - 48mm)	-	TE20, TEA20, TED20, TEF20, TO20
11	S.253	Sleeve Increaser - 1 1/8" x 1 3/8" (Length 2 3/16" - 56mm)	817012M92	TE20, TEA20, TED20, TEF20, TO20
12	S.15514	P.T.O. Coupler - 1 3/8" Over Running	-	TE20, TEA20, TED20, TEF20, TO20
12	S.15451	P.T.O. Coupler - 1 1/8" Over Running	-	TE20, TEA20, TED20, TEF20, TO20
13	S.61322	Gasket - P.T.O. Shaft	1075	TE20, TEA20, TED20, TEF20, TO20

Please See Index for alternative O.E. part numbers 23

HYDRAULIC PUMP REPAIR KIT & RELATED COMPONENTS



24 Please See Index for alternative O.E. part numbers

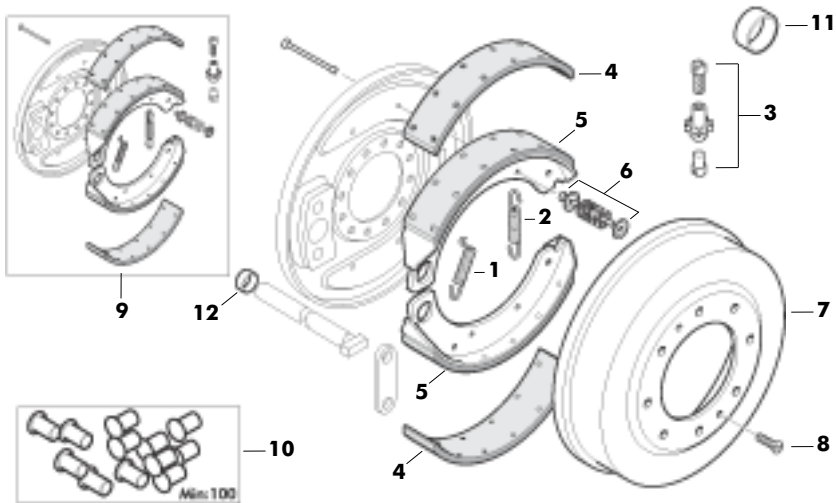
These parts are Spares parts and are not manufactured by the Original Equipment Manufacturer. Original Manufacturers' names, part numbers and descriptions are quoted for reference purposes only and are not intended to indicate or suggest that our replacement parts are made by the OEM.

HYDRAULIC PUMP REPAIR KIT & RELATED COMPONENTS

	Sparex No.	Description	Equivalent	Tractor Models
1	S.61320	Gasket - Pump to Housing	4082 181065M1	TE20, TEA20, TED20, TEF20, TO20
2	S.61324	Chamber Repair Kit	-	TE20, TEA20, TED20, TEF20, TO20
3	S.8848	Copper Washer	-	TE20, TEA20, TED20, TEF20, TO20
4	S.74009	Camblock	1042 181066M91	TE20, TEA20, TED20, TEF20, TO20
5	S.74010	Piston	4009 890675M1	TE20, TEA20, TED20, TEF20, TO20
6	S.60023	Relief Valve - 2050psi	2172 207887 181087M91	(TE20, TEA20, TED20, TEF20, TO20 >330043)
7	S.61323	Gasket - Sump Plug	181468M1	TE20, TEA20, TED20, TEF20, TO20
8	S.61321	Gasket - Pump Chamber	2181 890664M1 181067M1	(TE20, TEA20, TED20, TEF20, TO20 >285934)
9	S.60449	P.T.O. Shaft Bush	181095M1	TE20, TEA20, TED20, TEF20, TO20
10	S.61322	Gasket - P.T.O. Shaft	1075	TE20, TEA20, TED20, TEF20, TO20
11	S.3352	Gasket - Side Plates	181217M3	TE20, TEA20, TED20, TEF20, TO20
12	S.61319	Valve Chamber (Fits both sides)	181074M91 181076M91	TE20, TEA20, TED20, TEF20, TO20
13	S.60057	Control Valve	2425	TE20, TEA20, TED20, TEF20, TO20
14	S.42171	Lift Arm - 5/8" Pin (37 Splines)	180910M1	TE20, TEA20, TED20, TEF20, TO20
15	S.42228	Cylinder - Hydraulic Lift	7248 201183	TE20, TEA20, TED20, TEF20, TO20
16	S.61588	Piston 2 1/2"	1004	TE20, TEA20, TED20, TEF20, TO20
17	S.61589	Ring Set (3 x Cast Ring)	180898M1	TE20, TEA20, TED20, TEF20, TO20
18	S.42212	Gasket - Hydraulic Cylinder	104275	TE20, TEA20, TED20, TEF20, TO20
19	S.42213	Gasket - Hydraulic Cylinder	1066	TE20, TEA20, TED20, TEF20, TO20
20	S.42217	Gasket - Top Cover	7042	TE20, TEA20, TED20, TEF20, TO20
21	S.41318	Filler - Transmission	768300M1	TE20, TEA20, TED20, TEF20, TO20
22	S.60635	Friction Disc - Hydraulic Control Lever	1062 180889M1	TE20, TEA20, TED20, TEF20, TO20
23	S.66515	Hydraulic Lift Plate - Control Lever	185148M91	TE20, TEA20, TED20, TEF20, TO20
24	S.66598	Lever - Hydraulic Control	-	TE20, TEA20, TED20, TEF20, TO20
	S.61504	Repair Kit - Includes Gaskets & O Rings for Lift Cover and Pump	LCRK928	TE20, TEA20, TED20, TEF20, TO20
	S.61725	Complete Rebuild Kit - With Valve Chambers Contains: 1 x S.61320, 2 x S.61324, 2 x S.74009, 2 x S.74010 1 x S.60449, 1 x S.60023, 1 x S.61323, 2 x S.61321 1 x S.61322, 2 x S.3352, 2 x S.61319, 4 x S.8848	-	TE20, TEA20, TED20, TEF20, TO20
	S.61325	Complete Rebuild Kit - Less Valve Chambers Contains: 1 x S.61320, 2 x S.61324, 2 x S.74009, 2 x S.74010 1 x S.60447, 1 x S.60023, 1 x S.61323, 2 x S.61321 1 x S.61322, 2 x S.3352	-	TE20, TEA20, TED20, TEF20, TO20

Please See Index for alternative O.E. part numbers 25

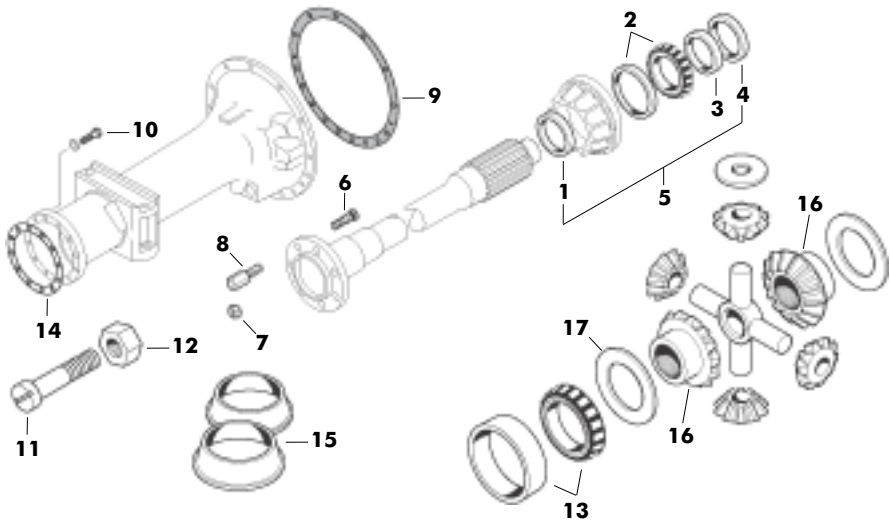
DRUM BRAKES & RELATED COMPONENTS



	Sparex No.	Description	Equivalent	Tractor Models
1	S.1785	Spring - Primary & Secondary	825064M1 1890319M1	TEA20, TED20, TEF20
2	S.42067	Spring	1850217M1	TEA20, TED20, TEF20
3	S.41564	Brake Adjuster	1850213M91	TEA20, TED20, TEF20 (Can replace early type brake adjusters with modification)
4	S.4163	Brake Lining Kit - (4 Linings & 48 Rivets)	1851062M91	TEA20, TED20, TEF20
5	S.40825	Brake Shoe - C/W Lining	1810517M1	TEA20, TED20, TEF20
5	S.61877	Brake Shoe - Bonded	830537M92	TO20
6	S.41483	Brake Pin Kit - Contains: 4 x 1850207M1 Pins 8 x 1850218M1 Cups 4 x 1850219M1 Springs	1810029M91	TEA20, TED20, TEF20
7	S.40827	Brake Drum	827707M5	TEA20, TED20, TEF20
8	S.41554	Screw - Brake Drum Retainer	182278M1	TEA20, TED20, TEF20
9	S.42592	Brake Back Plate Assembly. Floating Cam, Dual Action	827143M91	TEA20, TED20, TEF20
10	S.41797	Brake Lining Rivets	-	TEA20, TED20, TEF20
11	S.40740	Bush - Clutch Fork Shaft	184592M1	TE20, TEA20, TED20
12	S.41741	Bush - Brake Shaft	180801M1	TE20, TEA20, TED20

26 Please See Index for alternative O.E. part numbers

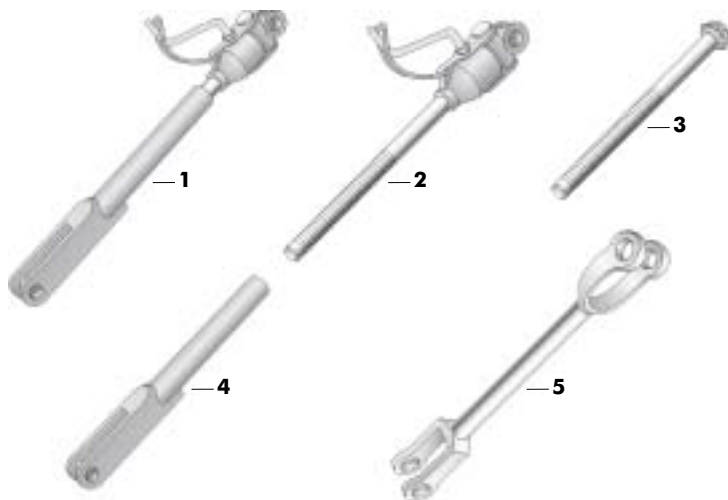
HALFSHAFTS & RELATED COMPONENTS



	Sparex No.	Description	Equivalent	Tractor Models
1	S.41416	Seal - Outer Halfshaft	890640M1	TE20, TEA20, TED20, TEF20, TO20
2	S.18516	Bearing - Halfshaft	646620M91 882554M91	TE20, TEA20, TED20, TEF20, TO20
3	S.41407	Collar - Shrink On	890543M1	TE20, TEA20, TED20, TEF20, TO20
4	S.41417	Seal - Inner Halfshaft	104628	TE20, TEA20, TED20, TEF20, TO20
5	S.42078	Kit - Seals & Collar (Contains 1 x S.41416, 1 x S.41417, 1 x S.41407)	-	TE20, TEA20, TED20, TEF20, TO20
6	S.1751	Stud - Rear Wheel - 9/16" UNF	181260M1 185400M1	TE20, TEA20, TED20, TEF20, TO20
7	S.1752	Nut - Rear Wheel - 9/16" UNF	180004M1	TE20, TEA20, TED20, TEF20, TO20
8	S.40241	Adaptor - Dual Wheel (9/16" UNF Female x 9/16" UNF Male)	818017M1	TE20, TEA20, TED20, TEF20, TO20
9	S.40922	Gasket - Trumpet Housing	183254M1	TE20, TEA20, TED20, TEF20, TO20
10	S.4903	Bolt - 7/16" x 2" UNF	353567X1	TE20, TEA20, TED20, TEF20, TO20
11	S.40901	Bolt - Crown Wheel	825776M1	TE20, TEA20, TED20, TEF20, TO20
12	S.40900	Nut - Crown Wheel	891947M1	TE20, TEA20, TED20, TEF20, TO20
13	S.18502	Bearing - LH + RH Differential (113mm x 67mm x 30mm)	185775M1 185776M1 1851533M91	TE20, TEA20, TED20, TEF20, TO20
14	S.42622	Gasket	1076	TE20, TEA20, TED20, TEF20, TO20
15	S.61512	Sure Seals (can be fitted without removing collar and bearing)	-	TE20, TEA20, TED20, TEF20, TO20
16	S.40911	Gear - Planetary - LH & RH	181249M3	TEA20, TED20, TEF20 85mm S/N 325001 >
17	S.42020	Thrust Washer - Planetary Gear	181247M1 897726M1	TE20, TEA20, TED20, TEF20, TO20 85mm S/N 325001 >

Please See Index for alternative O.E. part numbers 27

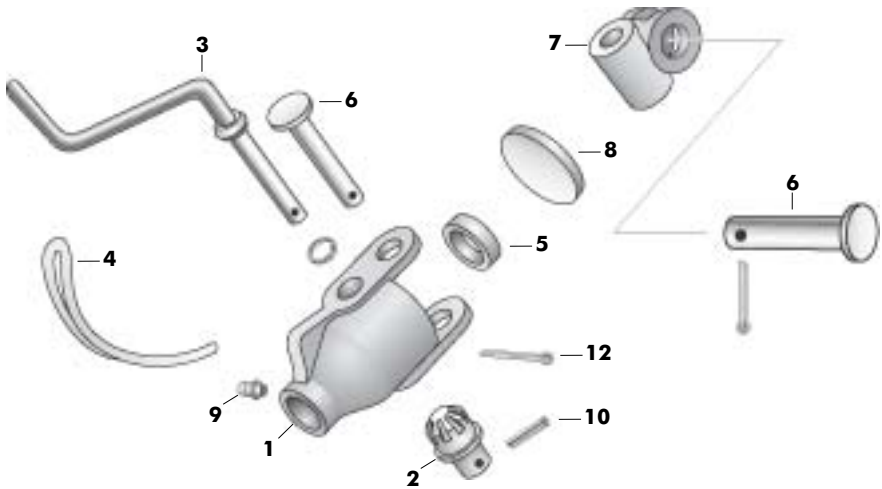
REAR LINKAGE LEVELLING BOX & RELATED COMPONENTS



Tractor Model	1 Complete Box Assembly	2 Box & Shaft Assembly	3 Shaft	4 Fork	5 Fork Shaft
TEA20, TED20, TEF20	S.40929 180854M1 S.48038 180854M91 Levelling Box Assy. (Low Cost Alternative to S.40929)	S.16761	S.235 4297 181346M1 Shaft (14" x 3/4")	S.40937 890674M1 S.48043 890674M1 Levelling Fork (Low Cost Alternative to to S.40937) (USA S.389)	S.40968 182554M92

28 Please See Index for alternative O.E. part numbers

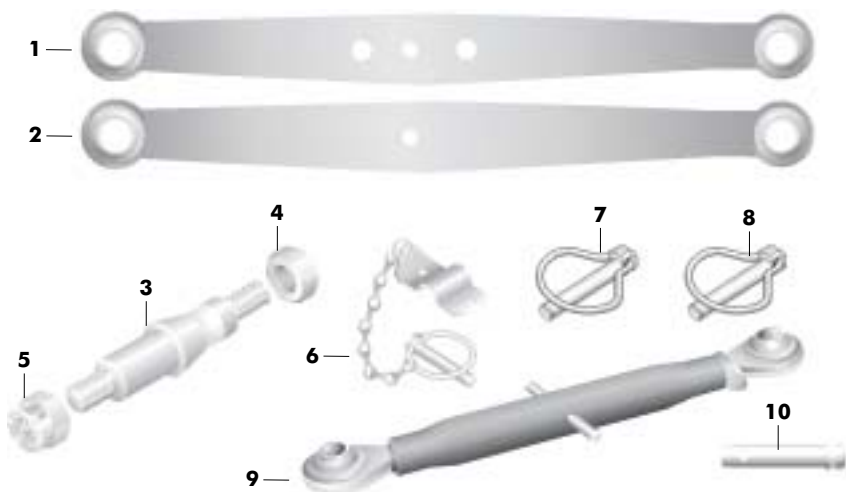
REAR LINKAGE LEVELLING BOX & RELATED COMPONENTS



Sparex No.	Description	Equivalent	Tractor Models
1	S.539 Levelling Box Housing - 3/4" Shaft	181344M2 193181M1	TEA20, TED20, TEF20
2	S.240 Gear - c/w Washer & Pin	181345M1	TEA20, TED20, TEF20
3	S.225 Handle - Levelling	181349M1 1662382M1	TEA20, TED20, TEF20
4	S.536 Retaining Clip - Levelling Handle	193092M1	TEA20, TED20, TEF20
5	S.537 Thrust Bearing - 3/4"	195457M1	TEA20, TED20, TEF20
6	S.1640 Clevis Pin (5/8" Diameter)	376399X1	TEA20, TED20, TEF20
7	S.1795 Knuckle	1884376M1	TEA20, TED20, TEF20
8	S.538 Core Plug - Flat Type (44.75mm - 1 3/4")	825102M1 195644M1	TEA20, TED20, TEF20
9	S.821 Grease Nipple (1/4" UNF - Straight)	200191M1	TE20, TEA20, TED20, TEF20, T020
10	S.1115 Roll Pin - 3/16" x 3/4"	195648M1	TEA20, TED20, TEF20
11	S.1501 Split Pin - 4mm x 68mm	354068X1	TEA20, TED20, TEF20

Please See Index for alternative O.E. part numbers 29

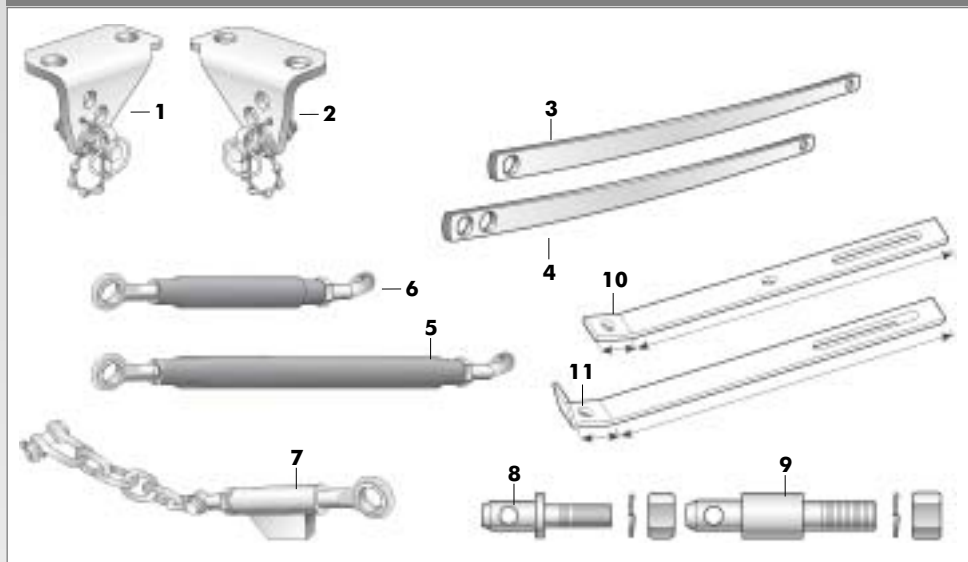
REAR LINKAGE LOWER LINK ARM & RELATED COMPONENTS



	Sparex No.	Description	Equivalent	Tractor Models
1	S.15174	Lower Link Arm - Fixed Ends - 3 Holes	193181M1	TE20, TEA20, TED20, TEF20, TO20
2	S.42620 (USA S.60450)	Lower Link Arm - (As Original) Fixed Ends - 1 Hole	1902	TE20, TEA20, TED20, TEF20, TO20
3	S.1700	Shaft - Lower Link	181229M5	TEA20, TED20, TEF20 (325001>)
4	S.4961	Nut - Lower Link Shaft - Internal (5/8" UNF - Self Locking)	376450X1	TEA20, TED20, TEF20 (325001>)
5	S.8933	Nut - Lower Link Shaft - External (5/8" UNF - Slotted)	353927X1	TEA20, TED20, TEF20 (325001>)
6	S.30	Chain, Pin & Bracket Assembly	195646M91	TE20, TEA20, TED20, TEF20, TO20
7	S.6	7/16" Lynch Pin Alternatives: S.39, S.2703, S.14596, S.493222, S.4581	810285M91	TE20, TEA20, TED20, TEF20, TO20
8	S.2	1/4" Lynch Pin Alternatives: S.37, S.2704, S.14593, S.493247	811201M91	TE20, TEA20, TED20, TEF20, TO20
9	S.312	Top Link - Cat 1	-	TE20, TEA20, TED20, TEF20, TO20
10	S.73	Top Link Pin	195647M1	TE20, TEA20, TED20, TEF20, TO20

30 Please See Index for alternative O.E. part numbers

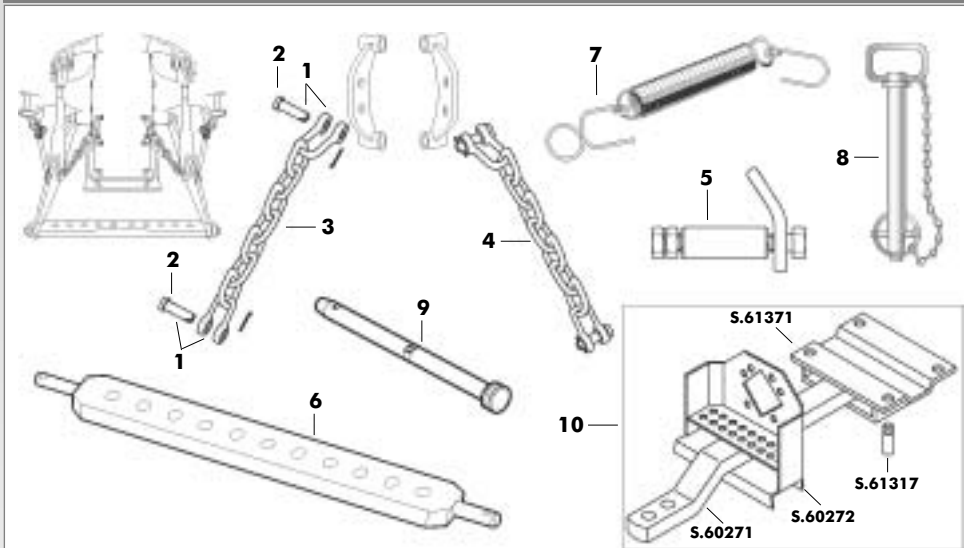
REAR LINKAGE STABILIZERS & RELATED COMPONENTS



	Sparex No.	Description	Equivalent	Tractor Models
1	S.160	Stabilizer Bracket - LH	-	TE20, TEA20, TED20, TEF20, TO20
2	S.161	Stabilizer Bracket - RH	-	TE20, TEA20, TED20, TEF20, TO20
3	S.177	Stabilizer Bar - Rigid	646102M1	TE20, TEA20, TED20, TEF20, TO20
4	S.178	Stabilizer Bar - Rigid 2 Holes (Alternative to S.177. This bar has an extra hole at one end)	-	TEA20, TED20, TEF20
5	S.184	Stabilizer Bar - Adjustable (Min 28 1/2" - 724mm Max 35" - 889mm) (23mm Hole in both ends)	-	TEA20, TED20, TEF20
6	S.185	Stabilizer Bar - Adjustable (Min 14 1/4" - 362mm Max 17 1/2" - 444mm)	-	TEA20, TED20, TEF20
7	S.176	Stabilizer Chain - Adjustable (Min 32 1/4" - 819mm Max 36 1/2" - 927mm)	-	TEA20, TED20, TEF20
8	S.169	Stabilizer Pin Assembly (Incl: Pin + Washer + Nut)	646101M2	TEA20, TED20, TEF20
9	S.171	Stabilizer Pin (Levelling Fork to Link Arm)	-	TEA20, TED20, TEF20
10	S.60455	Stay Strap - Lower	-	TE20, TEA20, TED20, TEF20, TO20
11	S.60460	Stay Strap - Upper	-	TE20, TEA20, TED20, TEF20, TO20

Please See Index for alternative O.E. part numbers 31

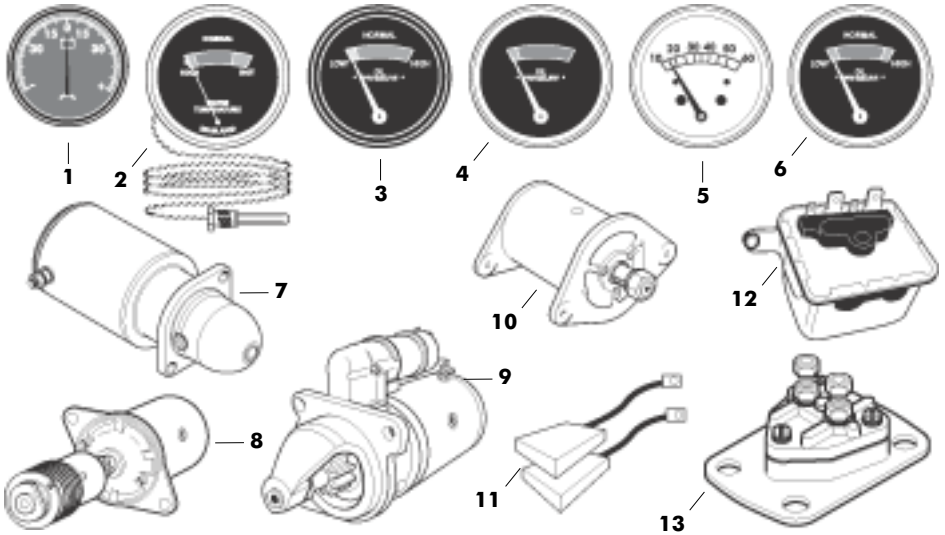
REAR LINKAGE CHECK CHAINS & RELATED COMPONENTS



	Spares No.	Description	Equivalent	Tractor Models
1	S.41049	D Shackle c/w Clevis Pin - $5/16"$	180333M1+ 195239M1	TE20, TEA20, TED20, TEF20, TO20
2	S.1406	Clevis Pin - $5/16"$	195239M1	TE20, TEA20, TED20, TEF20, TO20
3	S.41046	Check Chain Assembly - $5/16"$ (Inc. 1 x S.66 - 7 Links, 2 x S.41049)	180333M1+ 195239M1+ 181354M1	TE20, TEA20, TED20, TEF20, TO20
4	S.66	Chain only - 7 link	181304M1	-
5	S.1080 (USA S.61019)	Eyebolt Assembly (Inc. 1 x S.4904, 1 x S.1077, 1 x S.1078, 2 x S.1006)	353573X1+ 897677M1+ 180859M1	TE20, TEA20, TED20, TEF20, TO20
6	S.125	Drawbar - Cat 1	180485M1	TE20, TEA20, TED20, TEF20, TO20
7	S.14615	Lower Link Restraint	-	TE20, TEA20, TED20, TEF20, TO20
8	S.408	$3/4"$ Drawbar Pin - 98mm Long	-	TE20, TEA20, TED20, TEF20, TO20
8	S.404	$3/4"$ Drawbar Pin - 157mm Long	-	TE20, TEA20, TED20, TEF20, TO20
9	S.70	Hinge Pin	4114	TE20, TEA20, TED20, TEF20, TO20
10	S.60270	Swinging Drawbar Kit	-	TE20, TEA20, TED20, TEF20, TO20

32 Please See Index for alternative O.E. part numbers

ELECTRICS & INSTRUMENTS



Spares No.	Description	Equivalent	Tractor Models
1	S.4340 Ammeter	36047	TEF20
2	S.4341 Water Temperature Gauge	180727M91 881396M91	TEF20
3	S.4342 Oil Pressure Gauge	506902M92 1853097M91 3381907M1	TEA20, TED20, TEF20
4	S.61171 Oil Pressure Gauge - 40Psi	506902M92	TEF20
5	S.42784 Oil Pressure Gauge - As Original 3/8" 24 tpi UNF Female Thread	180100M91 506902M92 T09237	TE20, TEA20, TED20, TEF20, TO20
6	S.61466 Oil Pressure Gauge - (1/8" NPT Male Thread)	-	TE20, TEA20, TO20
7	S.60354 Starter (6V) If used on Continental Engine a 1/16" shim is required to avoid the drive assembly contacting with the flywheel.	-	TE20
8	S.41136 Starter (12V) (9 Teeth Drive)	25038	TEA20, TED20, TEF20
9	S.60360 Starter (12V) (Pre - Engaged Type, some modification required)	26071 LRS157	TEF20 Standard 20C Diesel
10	S.41157 Dynamo 12V 22amp (Must be polarised before use)	897104M91 22703/22791 LRD101	TEA20, TED20, TEF20 Standard 85mm, 20C Diesel
11	S.41160 Brush Set - Dynamo	227541 USB104	TEA20, TED20, TEF20 Standard 85mm, 20C Diesel
12	S.41166 Control Box	NCB120	TEA20, TED20, TEF20
13	S.42538 Starter Switch (Gear Stick Operated)	76418	TE20, TEA20, TED20

Please See Index for alternative O.E. part numbers 33

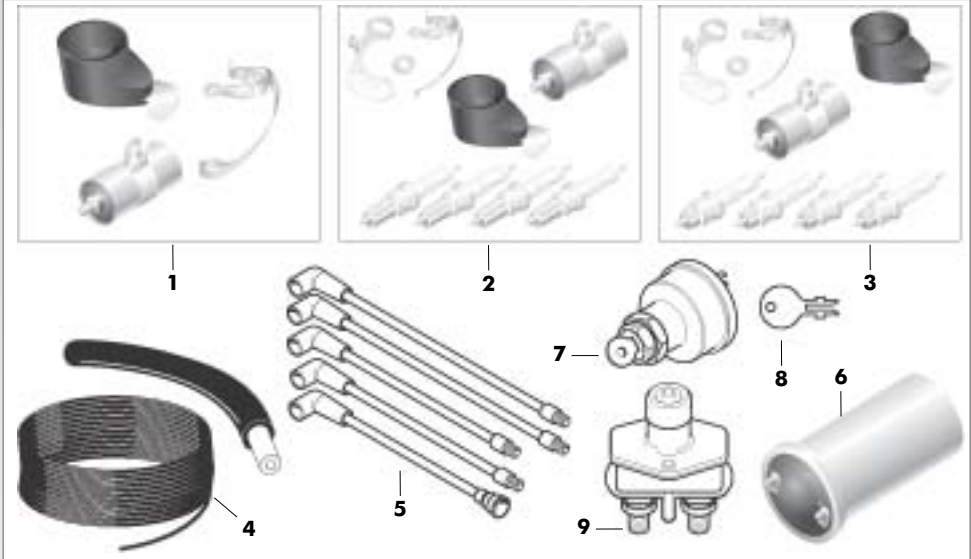
ELECTRICS & INSTRUMENTS



Sparex No.	Description	Equivalent	Tractor Models
1	S.42372 Contact Set (Early Distributor)	407050 829925M1	TEA20, TED20 Standard 80mm, 85mm Alternative to S.42376
2	S.42376 Contact Set (Later 25D Distributor)	423153 829925M1	TEA20, TED20 Standard 85mm Alternative to S.42372
3	S.42373 Condenser	407044	TEA20, TED20 Standard 85mm, 87mm
4	S.42374 Rotor Arm	408355 829927M1	TEA20, TED20 Standard 85mm, 87mm
5	S.42377 Ignition Coil (screw in leads)	LA12 570062M3	TEA20, TED20 Standard 80mm, 85mm
6	S.41169 Distributor Cap	829937M1 DDB163	TEA20, TED20 Standard 80mm, 85mm
7	S.61907 Distributor Cap - Delco	-	TE20 Continental Z120
8	S.42484 Spark Plug (14mm x 23mm reach)	N21	TED20 Standard 85mm
9	S.42611 (USA S.61934) Spark Plug (14mm x 15mm reach) (USA S.61934)	L86C	TE20, TEA20 Standard 80mm, 85mm
10	S.61969 Spark Plug 18mm	-	TE20 Continental Z120
11	S.19727 Battery 12V	541/16017	TF30 Diesel, TEF20/25
11	S.71247 Battery 6V	-	TE20, TEA20
11	S.19713 Battery 12V	-	TEA20, TED20

34 Please See Index for alternative O.E. part numbers

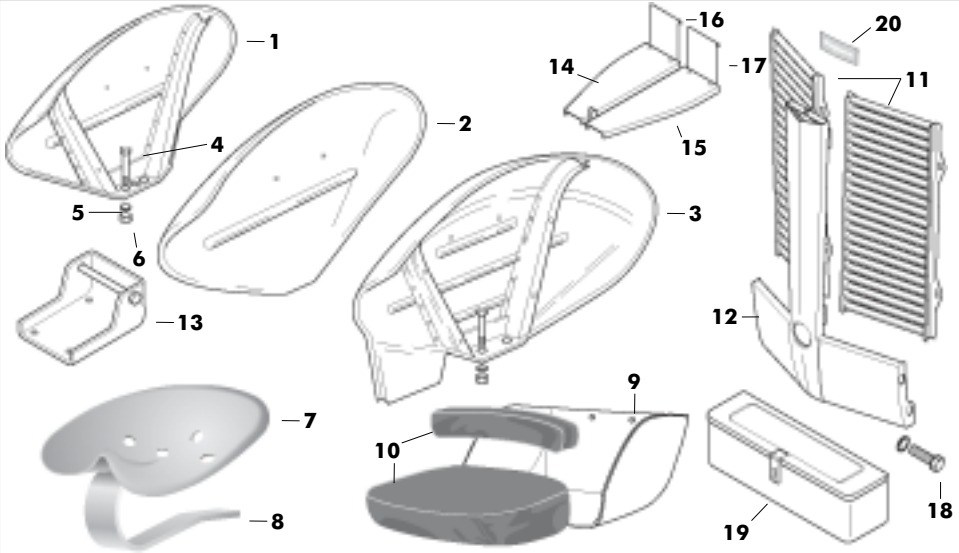
ELECTRICS & INSTRUMENTS



Spares No.	Description	Equivalent	Tractor Models
1	S.61558 Ignition Kit (Delco Distributor) Contains: Points, Condenser & Rotor Arm	-	TE20 , Continental Z120
2	S.42941 Ignition Kit (Early Distributor) Contains: S.42372 x 1, S.42373 x 1, S.42374 x 1, S.42484 x 4	-	TED20 85mm LO/VO Models
2	S.42734 Ignition Kit Contains: S.42376 x 1, S.42373 x 1, S.42374 x 1, S.42484 x 4	-	TED20 - 25D Distributor 85mm VO/LO Models
3	S.42733 Ignition Kit Contains: S.42372 x 1, S.42373 x 1, S.42374 x 1, S.42611 x 4	-	TEA20 80mm + 85mm Petrol only Models
4	S.18328 HT Lead 30M Coil, No Resistive Copper Core Cable PVC - Black	-	TE20, TEA20, TED20
4	S.18329 HT Lead 30M Coil, High Performance Cable - Yellow & Green	-	TE20, TEA20, TED20
5	S.42375 Ignition Lead Set	-	TE20, TEA20, TED20
6	S.61548 6V Coil (without internal resistor)	-	Universal
6	S.61016 12V Coil (without internal resistor)	-	Universal
7	S.60820 Ignition/Light Switch - 4 Position	180681M1	TE20, TEA20, TEF20, TO20
8	S.60835 Key (Fits S.60820 switch)	-	-
9	S.60821 Starter Switch	181679M1	TE20, TEA20, TO20

Please See Index for alternative O.E. part numbers 35

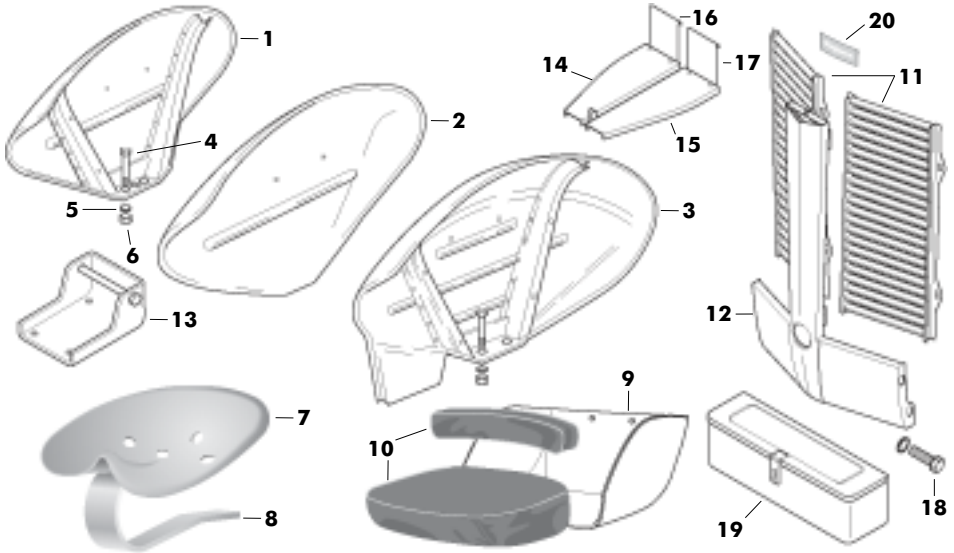
FENDERS & SEATS



	Sparex No.	Description	Equivalent	Tractor Models
1	S.41477	Fender - LH/RH	1883356M91	TE20, TEA20, TED20, TEF20, TO20
1	S.66428	Fender - As Original Style	1883356M91	TE20, TEA20, TED20, TEF20, TO20
2	S.42068 (USA S.60680)	Skin Only - (Less Framework)	526904M91	TE20, TEA20, TED20, TEF20, TO20
3	S.41479	Fender - Safety - LH	897752M91 1884287M97	TEA20, TED20, TEF20
3	S.41478	Fender - Safety - RH	897751M91 1884286M97	TEA20, TED20, TEF20
4	S.8931	Bolt - 6" x 5/8" UNF	353648X1	TEA20, TED20, TEF20
5	S.1033	Spring Washer - (5/8")	353433X1	TEA20, TED20, TEF20
6	S.1002	Nut - (5/8" Hex.Plain UNF)	353427X1	TE20, TEA20, TED20, TEF20, TO20
7	S.61598	Seat - 9 holes (As Original Style)	825577M91	TEA20, TED20, TEF20
7	S.71478	Seat Pan - Super Value Alternative to S.61598	-	TEA20, TED20, TEF20
7	S.61599	Seat - Flip up Style	181330M91	TO20
8	S.61516	Seat Spring	825608M1	TEA20, TED20, TEF20

36 Please See Index for alternative O.E. part numbers

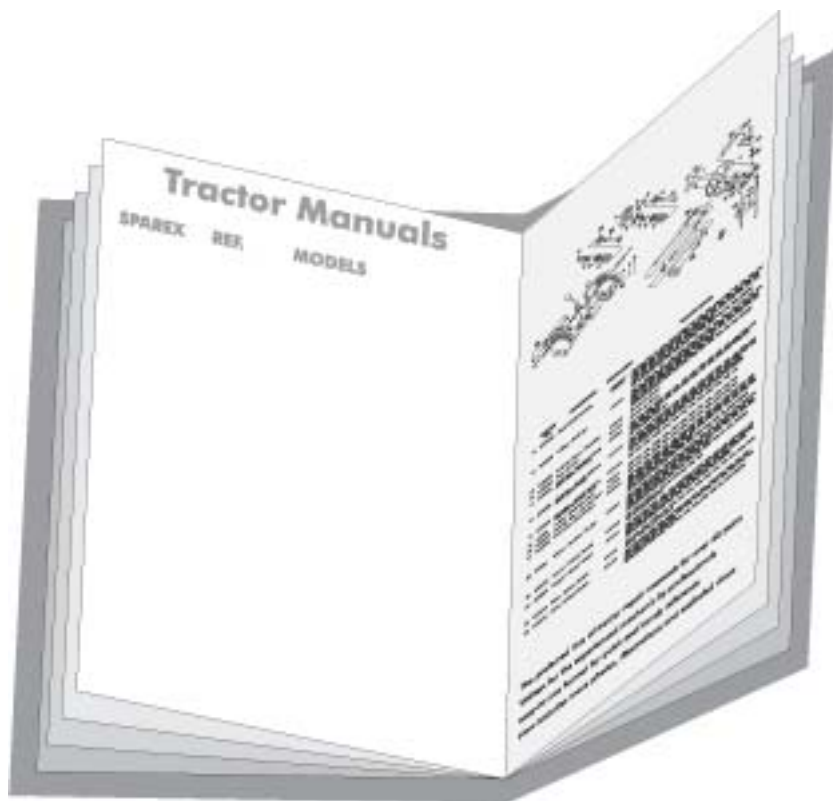
FENDERS & SEATS



	Sparex No.	Description	Equivalent	Tractor Models
9	S.61144	Metal Seat pan	-	TE20, TEA20, TED20, TEF20, TO20 (Optional Deluxe Seat)
10	S.610	Seat Cushion & Back Rest	891867M91	TE20, TEA20, TED20, TEF20, TO20 (Optional Deluxe Seat)
11	S.42914	Grills LH & RH (Pair)	9524 9523	TE20, TEA20, TED20
12	S.42915	Front T Panel	9533	TE20, TEA20, TED20
13	S.61557	Hinge & Bolt	-	TO20
14	S.61128	Step Plate Assembly - LH	191929M92	TE20, TEA20, TEF20, TO20, TO30, TO35
15	S.61127	Step Plate Assembly - RH	180717M91	TE20, TEA20, TEF20, TO20, TO30, TO35
16	S.61129	Step Plate Front Bracket - LH	-	TE20, TEA20, TEF20, TO20, TO30, TO35
17	S.61131	Step Plate Front Bracket - RH	-	TE20, TEA20, TEF20, TO20, TO30, TO35
18	S.555	Swivel Bolt - Hood	180718M1	TE20, TEA20, TEF20, TO20, TO30, TO35
19	S.42931	Toolbox	825633M91	TE20, TEA20, TED20, TEF20
20	S.61900	Front Emblem (Blue Background)	-	TE20, TEA20, TO20
	S.61940	Side Emblem LH & RH (Pair)	-	TO20
	S.52666	Seat Cushion - Black	-	Universal
				

Please See Index for alternative O.E. part numbers 37

TRACTOR MANUALS



38 Please See Index for alternative O.E. part numbers

These parts are Sparex parts and are not manufactured by the Original Equipment Manufacturer. Original Manufacturers' names, part numbers and descriptions are quoted for reference purposes only and are not intended to indicate or suggest that our replacement parts are made by the OEM.

PAINTS

Accessories

Paint

PRIMERS/MATERIALS

UNIVERSAL PRIMER - Beige S.80037 - 1 Litre S.90037 -
Dilute: 30% SL4 Spray Thinner S.80039 - 5 Litre 400ml

PRIMER - Red Oxide S.80008 - 1 Litre S.90008 -
S.80061 - 5 Litres 400ml

NK 910 PRIMER S.80010 - 1 Litre

For old surfaces.
Dilute: 30% SL4 Spray Thinner

HP1 WASHPRIMER

Ideal for bare metal surfaces. S.80012 - 1 Litre Beige
Mix: 1:1 with HP1 Hardener

HP1 HARDENER S.80013 - 1 Litre

To be used 1:1 with HP1 Primer

FILLER S.80016 - 2 kg

Complete with tube of hardener



THINNERS

SL4 SPRAY THINNER S.80049 - 1 Litre

Dilution Ca. 30% S.80019 - 5 Litres

For all undercoats and paints S.80047 - 25 Litres

SL4 QUICK THINNER

For quicker drying time S.80024 - 5 Litres

2K THINNER S.80027 - 1 Litre

To be used only for the dilution S.80019 - 5 Litres

of 2K Hardener.

Dilution Ca. 10%

2K HARDENER S.80026 - 1 Litre

To improve hardening and

shiny finish.

Dilution Ca. 25%

FASTMIX S.80017 - 1 Litre

Dilution Ca. 10%.

For temperatures below 10°C



SPAREX HEAT RESISTANT PAINT



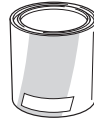
ALUMINIUM S.90002 -
400ml

BLACK S.90006 -
400ml

PAINT STIRRER

For 1 Litre Tins S.80030

For 4 Litre Tins S.80031



1 Litre



400ml

T20 Series

Light Grey

S.82114

S.92114

Please See Index for alternative O.E. part numbers 39

Sparex No.	O.E. Equivalent	Page No.
2	811201M91	30
6	810285M91	30
30	195646M91	30
66	181304M1	32
70	4114	32
73	195647M1	30
125	180485M1	32
160	-	31
161	-	31
169	646101M2	31
171	-	31
176	-	31
177	646102M1	31
178	-	31
184	-	31
185	-	31
207	-	5
225	181349M1	29
225	1662382M1	29
235	4297	28
235	181346M1	28
240	181345M1	29
249	180022M1	23
250	-	23
253	817012M92	23
280	-	23
312	-	30
389	181347M1	28
389	890674M1	28
404	-	32
408	-	32
536	193092M1	29
537	195457M1	29
538	195644M1	12
538	825102M1	12, 29
539	181344M2	29
539	193181M1	29
555	180718M1	36
610	891867M91	36
633	-	8
641	180006M1	22
821	200191M1	4, 6, 29
1002	353427X1	6, 36
1033	353433X1	36
1067	353432X1	6
1072	353426X1	6
1075	353572X1	6
1080	353573X1 +	32
1080	897677M1 +	32
1080	180859M1	32
1115	195648M1	29
1406	195239M1	32
1501	354068X1	4, 29
1640	376399X1	29
1700	181229M5	30
1751	181260M1	27
1751	185400M1	27
1752	180004M1	27
1755	181328M1	4
1756	195490M1	4
1785	825064M1	26
1785	1890319M1	26
1795	1884376M1	29
2117	89429M91	8
2882	1441637X1	23
2911	2951X	5
2922	350355X1	6
2967	1850224M91	4
2968	150662M11	4
2969	897363M1	4
2970	1810391M91	4

Sparex No.	O.E. Equivalent	Page No.
2982	894291M91	8
3119	894291M91	8
3352	181217M3	25
4163	1851062M91	26
4340	36047	33
4341	180727M91	33
4341	881396M91	33
4342	506902M92	33
4342	1853097M91	33
4342	3381907M1	33
4352	828217M1	5
4352	353427X1	5
4903	353567X1	27
4961	376450X1	30
4979	353774X1	6
5932	180345M1	6
6300	890476M91	8
6301	894291M91	8
6314	894297M1	8
8440	1851095M2	13
8440	31419	13
8452	825702M2	3
8452	3637675M1	3
8452	150142	3
8453	3475308M1	3
8848	-	25
8876	180070M1	8
8931	353648X1	36
8933	353927X1	30
10389	-	19
11222	180010M1	4
12287	-	3
12288	-	3
12965	-	38
13008	4164	13
13552	-	38
14449	192791M91	8
14615	-	32
15174	193181M1	30
15451	-	23
15514	-	23
15549	898011M1	8
15804	824245M1	8
15981	640010M1	8
15984	180349M92	7
15984	897415M91	7
15985	180346M92	7
15985	897414M91	7
16761	-	28
16768	-	28
17650	-	23
17658	-	23
18056	GA1773	23
18056	1440494X1	23
18328	-	35
18329	-	35
18502	185775M1	27
18502	185776M1	27
18502	1851533M91	27
18516	646620M91	27
18516	882554M91	27
18930	-	3
19713	-	34
19727	-	34
40023	2413	3
40023	825656M1	3
40034	830862M91	2
40034	1881805M91	2
40034	1885489M91	2
40075	825374M1	2
40075	1446130M1	2

Sparex No.	O.E. Equivalent	Page No.
40075	2415216	2
40080	60582	3
40085	1446165M91	2, 13
40085	2485666	2, 13
40088	641696M1	3
40089	826960M1	3
40107	182850M1	7
40114	353623X1	6
40114	376267X1	6
40193	1885486M91	6
40213	353928X1	4
40217	-	6
40220	180355M2	6
40226	018560X	6
40226	195175M1	6
40241	818017M1	27
40243	898085M91	4
40246	191142M1	4
40246	1884289M1	4
40286	506020M91	5
40286	1883335M2	5
40290	195592M1	5
40291	180577M1	5
40347	731192M1	16
40347	921062	16
40357	3637439M91	16
40357	ZZ90011	16
40360	740407M1	16
40360	31134151	16
40362	377185X1	16
40362	375756X1	16
40362	33221327	16
40362	95250	16
40364	731008M1	16
40364	410236	16
40404	739845M91	10
40404	55274	10
40418	745823M91	10
40418	41158063	10
40473	101661	12
40483	100652	12
40483	110926	12
40498	103369	12
40503	103368	12
40535	1882916M1	12
40535	1896000M91	12
40535	26560090	12
40540	1850450M2	19
40540	894974M91	19
40540	32327	19
40541	31944	19
40541	CAV7111-44	19
40557	1884857M91	19
40586	106387	18
40602	894916M91	18
40617	61153	12, 18
40628	61396	12, 18
40644	825003M1	8
40645	827877M1	8
40734	828123M1	21
40740	184592M1	26
40821	180579M3	22
40821	520858M1	22
40825	1810517M1	26
40827	827707M5	26
40900	891947M1	27
40901	825776M1	27
40911	181249M3	27
40922	183254M1	27
40929	180854M1	28
40937	890674M1	28

Sparex No.	O.E. Equivalent	Page No.	Sparex No.	O.E. Equivalent	Page No.	Sparex No.	O.E. Equivalent	Page No.
40968	182554M92	28	42161	181582M91	7	42420	825140M1	16
41046	180333M1 +	32	42167	8572	21	42421	825157M91	17
41046	195239M1 +	32	42168	-	21	42422	825452M1	16
41046	181354M1	32	42169	897137M92	5	42423	825890M91	17
41049	180333M1 +	32	42170	1882977M1	5	42425	554318M91	14
41049	195239M1	32	42170	963613M1	5	42425	1810086M91	14
41136	25038	33	42170	1678566M1	5	42426	554324M91	15
41157	897104M91	33	42171	180910M1	25	42426	825983M91	15
41157	22703/22791	33	42194	897137M92	5	42427	826239/40M1	15
41157	LRD101	33	42194	1678566M1	5	42428	8584	9
41160	227541	33	42195	825740M1	17	42428	8756	9
41160	USB104	33	42212	104275	25	42428	826941M91	9
41166	NCB120	33	42213	1066	25	42428	826958M91	9
41169	829937M1	34	42217	7042	25	42483	-	10
41169	DDB163	34	42219	-	7	42484	N21	34
41310	1105	23	42225	825002M1	6	42487	825649M2	17
41316	7126	3	42228	7248	25	42488	825864M1	10
41316	825667M1	3	42228	201183	25	42498	-	38
41317	57073	3	42233	1884098M1	13	42499	830900M91	14
41317	825684M1	3	42233	826046M1	13	42499	554327M91	14
41318	768300M1	25	42244	180345M1	6	42500	830901M91	14
41328	377185X1	16	42253	202084	12, 18	42500	554328M91	14
41328	1476245X1	16	42273	-	10	42501	894947M91	14
41328	33221327	16	42274	-	10	42501	830902M91	14
41347	1650482M1	13	42275	-	10	42501	554329M91	14
41347	490184	13	42359	554314M91	14	42502	826085M1	14
41407	890543M1	27	42359	1810083M91	14	42502	830903M91	14
41416	890640M1	27	42360	554316M91	14	42502	554330M91	14
41417	104628	27	42360	1810084M91	14	42512	8640	9
41477	1883356M91	36	42361	554317M91	14	42512	826990M91	9
41478	897751M91	36	42361	1810085M91	14	42513	-	9
41478	1884286M97	36	42362	554320M91	15	42538	76418	33
41479	897752M91	36	42362	825840M91	15	42540	2412	19
41479	1884287M97	36	42363	554322M91	15	42554	825007M1	20
41483	1810029M91	26	42363	825837M91	15	42566	7330	20
41486	180576M1	5	42364	554323M91	15	42566	180362M1	20
41486	899623M1	5	42364	825982M91	15	42569	1897	19
41552	180581M1	22	42365	825111/2M1	15	42573	825146M1	16
41552	1678440M1	22	42366	830899M91	14	42592	827143M91	26
41554	182278M1	26	42366	554326M91	14	42611	L86C	34
41555	180582M1	22	42367	554332M91	15	42620	1902	30
41555	192007M1	22	42367	830897M91	15	42621	180344M1	7
41557	180002M1	22	42368	554328M91	15	42622	1076	27
41557	881144M1	22	42368	830898M91	15	42626	106594F	10
41564	1850213M91	26	42369	554329M91	15	42628	893007M1	10
41607	-	5	42369	894944M91	15	42631	894915M91	18
41614	-	10	42370	554330M91	15	42685	1850167M91	20
41616	61471	17	42370	894945M91	15	42688	825216M1	16
41725	825208M1	12	42371	554331M91	15	42689	825179M1	16
41726	825654M1	12	42371	894946M91	15	42719	181528M1	13
41741	180801M1	26	42372	407050	34	42720	7134	17
41797	-	26	42372	829925M1	34	42720	1750274M1	17
41863	180350M1	6	42373	407044	34	42721	1750269M1	12
41867	1190	23	42374	408355	34	42722	1750024M1	13
41876	194046M91	2	42374	829927M1	34	42723	1750336M1	12
41876	521031M91	2	42375	-	35	42727	1750034M1	16
41876	825181M91	2	42376	423153	34	42731	190705M1	2
41876	3638250M91	2	42376	829925M1	34	42732	200781	2, 13
41876	3638342M91	2	42377	LA12	34	42733	-	35
41962	126920	7	42377	570062M3	34	42734	-	35
41962	825695M91	22	42393	829029M1	12, 18	42742	825377M1	2
41973	180583M1	22	42394	825194M2	13	42743	825378M91	2
41973	1861024M1	22	42410	9583	3	42784	180100M91	33
42020	181247M1	27	42410	181623M1	3	42784	506902M92	33
42020	897726M1	27	42413	4477	19	42784	T09237	33
42067	1850217M1	26	42413	9623	19	42843	1750280M1	16
42068	526904M91	36	42414	9642	19	42856	2515	19
42078	-	27	42417	1575	19	42863	827615M91	16
42085	501923	18	42417	825004M1	19	42914	9524	37
42136	-	10	42418	825135M1	17	42914	9523	37
42161	893607M1	7	42419	825136M1	17	42915	9533	37

Sparex No.	O.E. Equivalent	Page No.
42931	825633M91	37
42941	-	35
42948	200480	13
43009	61849	12, 18
43010	-	18
43042	1750002M1	12
48038	180854M91	28
48043	890674M1	28
51862	353625X1	6
51862	377170M1	6
52666	-	37
53802	354394X1	7
53802	883303M1	7
55112	-	23
57751	826137M91	12
57751	894976M91	12
58926	-	19
59044	-	5
60023	2172	25
60023	207887	25
60023	181087M91	25
60036	1040903M91	13
60036	1750343M91	13
60049	825002M1	6
60057	2425	25
60094	181715M1	20
60104	836543M91	17
60125	830862M91	2
60127	825395M2	13
60193	825259M1	12
60246	183219M91	6
60270	-	32
60327	164592M1	13
60354	-	33
60360	26071	33
60360	LR157	33
60449	181095M1	25
60450	-	30
60455	-	31
60456	-	23
60460	-	31
60462	186819M91	2
60504	827168M1	5
60517	180085M1	3
60517	182345M1	3
60522	180145M1	3
60545	841244M91	12
60635	180889M1	25
60651	-	23
60654	-	9
60680	-	36
60693	180241M91	21
60693	181141M91	21
60738	-	10
60791	505545M92	9
60791	180460M1	9
60802	185923M91	21
60820	180681M1	35
60821	181679M1	35
60835	-	35
60870	1750045M1	13
60891	-	14
60892	-	14
60893	-	14
60894	-	14
60895	-	14
60896	-	15
60897	-	15
60898	-	15
60899	-	15
60900	-	15

Sparex No.	O.E. Equivalent	Page No.
60909	57151	17
60909	825886M1	17
60909	825199M1	17
60909	891035M1	17
60928	554314M91	14
60928	1810083M91	14
60929	554316M91	14
60929	1810084M91	14
60930	554317M91	14
60930	1810085M91	14
60931	554318M91	14
60931	1810086M91	14
60932	554319M91	14
60932	1810087M91	14
60933	554320M91	15
60933	825840M91	15
60934	554322M91	15
60934	825837M91	15
60935	554323M91	15
60935	825982M91	15
60936	554325M91	15
60936	825984M91	15
61016	-	35
61019	353573X1+	32
61019	897677M1+	32
61019	180859M1	32
61041	1750284M1	16
61042	1750237M1	17
61127	180717M91	37
61128	191929M92	37
61129	-	37
61131	-	37
61133	1882977M1	5
61133	963613M1	5
61133	1678566M1	5
61144	-	37
61171	506902M92	33
61319	181074M91	25
61319	181076M91	25
61320	4082	25
61320	181065M1	25
61321	2181	25
61321	890664M1	25
61321	181067M1	25
61322	1075	23, 25
61323	181468M1	25
61324	-	25
61325	-	25
61346	826048M1	17
61373	-	5
61414	-	7
61466	-	33
61501	830631M91	18
61503	1750216M92	18
61503	1750112M1	18
61504	LCRK928	25
61512	-	27
61516	825608M1	36
61548	-	35
61557	-	37
61558	-	35
61576	825236M1	20
61577	632948M92	20
61578	-	20
61588	1004	25
61589	180898M1	25
61598	825577M91	36
61599	181330M91	36
61637	826089M1	17
61725	-	25
61877	830537M92	26

Sparex No.	O.E. Equivalent	Page No.
61900	-	37
61902	101871	12
61902	825388M1	12
61904	100652	12
61904	825369M1	12
61906	825186M1	12
61907	-	34
61934	L86C	34
61940	-	37
61969	-	34
61996	827501M91	16
63097	826773M1	2
63110	1568	3
64146	1326	19
65113	-	5
65334	4069	21
65334	501608	21
65335	4069	21
65335	501608	21
65335	195207M1	21
65359	-	23
65894	-	23
66428	1883356M91	36
66446	-	20
66515	185148M91	25
66598	-	25
66663	-	10
71247	-	34
71478	-	36
72898	8780	21
72899	2641	21
73005	-	21
74009	1042	25
74009	181066M91	25
74010	4009	25
74010	890675M1	25
75967	530017	10
75972	-	10
75973	-	10
78899	-	5
80008	-	39
80010	-	39
80012	-	39
80013	-	39
80016	-	39
80017	-	39
80019	-	39
80024	-	39
80026	-	39
80027	-	39
80030	-	39
80031	-	39
80037	-	39
80039	-	39
80047	-	39
80049	-	39
80061	-	39
82114	-	39
90002	-	39
90006	-	39
90008	-	39
90037	-	39
92114	-	39

O.E. Equivalent	Sparex No.	Page No.	O.E. Equivalent	Sparex No.	Page No.	O.E. Equivalent	Sparex No.	Page No.
1004	61588	25	100652	61904	12	1750274M1	42720	17
1042	74009	25	101661	40473	12	1750280M1	42843	16
1066	42213	25	101871	61902	12	1750284M1	61041	16
1075	61322	23, 25	103368	40503	12	1750336M1	42723	12
1076	42622	27	103369	40498	12	1750343M91	60036	13
1105	41310	23	104275	42212	25	180002M1	41557	22
1190	41867	23	104628	41417	27	180004M1	1752	27
1326	64146	19	106387	40586	18	180006M1	641	22
1568	63110	3	110926	40483	12	180010M1	11222	4
1575	42417	19	126920	41962	7	180022M1	249	23
1897	42569	19	150142	8452	3	180070M1	8876	8
1902	42620	30	200480	42948	13	180085M1	60517	3
2172	60023	25	200781	42732	2, 13	180100M91	42784	33
2181	61321	25	201183	42228	25	180145M1	60522	3
2413	40023	3	202084	42253	12, 18	180241M91	60693	21
2425	60057	25	207887	60023	25	180333M1 +	41046	32
2515	42856	19	227541	41160	33	180333M1 +	41049	32
2641	72899	21	407044	42373	34	180344M1	42621	7
4009	74010	25	407050	42372	34	180345M1	5932	6
4069	65334	21	408355	42374	34	180345M1	42244	6
4069	65335	21	410236	40364	16	180346M92	15985	7
4082	61320	25	423153	42376	34	180349M92	15984	7
4114	70	32	490184	41347	13	180350M1	41863	6
4164	13008	13	501608	65334	21	180355M2	40220	6
4297	235	28	501608	65335	21	180362M1	42566	20
4477	42413	19	501923	42085	18	180460M1	60791	9
7042	42217	25	530017	75967	10	180485M1	125	32
7126	41316	3	921062	40347	16	180576M1	41486	5
7134	42720	17	2415216	40075	2	180577M1	40291	5
7248	42228	25	2485666	40085	2, 13	180579M3	40821	22
7330	42566	20	26560090	40535	12	180581M1	41552	22
8572	42167	21	31134151	40360	16	180582M1	41555	22
8584	42428	9	33221327	40362	16	180583M1	41973	22
8640	42512	9	33221327	41328	16	180681M1	60820	35
8756	42428	9	41158063	40418	10	180717M91	61127	37
8780	72898	21	018560X	40226	6	180718M1	555	36
9523	42914	37	1040903M91	60036	13	180727M91	4341	33
9524	42914	37	106594F	42626	10	180801M1	41741	26
9533	42915	37	1440494X1	18056	23	180854M1	40929	28
9583	42410	3	1441637X1	2882	23	180854M91	48038	28
9623	42413	19	1446130M1	40075	2	180859M1	1080	32
9642	42414	19	1446165M91	40085	2, 13	180859M1	61019	32
25038	41136	33	1476245X1	41328	16	180889M1	60635	25
26071	60360	33	150662M11	2968	4	180898M1	61589	25
31419	8440	13	164592M1	60327	13	180910M1	42171	25
31944	40541	19	1650482M1	41347	13	1810029M91	41483	26
32327	40540	19	1662382M1	225	29	1810083M91	42359	14
36047	4340	33	1678440M1	41552	22	1810083M91	60928	14
55274	40404	10	1678566M1	42170	5	1810084M91	42360	14
57073	41317	3	1678566M1	42194	5	1810084M91	60929	14
57151	60909	17	1678566M1	61133	5	1810085M91	42361	14
60582	40080	3	1750002M1	43042	12	1810085M91	60930	14
61153	40617	12, 18	1750024M1	42722	13	1810086M91	42425	14
61396	40628	12, 18	1750034M1	42727	16	1810086M91	60931	14
61471	41616	17	1750045M1	60870	13	1810087M91	60932	14
61849	43009	12, 18	1750112M1	61503	18	1810391M91	2970	4
76418	42538	33	1750216M92	61503	18	1810517M1	40825	26
95250	40362	16	1750237M1	61042	17	181065M1	61320	25
100652	40483	12	1750269M1	42721	12	181066M91	74009	25

O.E. Equivalent	Sparex No.	Page No.	O.E. Equivalent	Sparex No.	Page No.	O.E. Equivalent	Sparex No.	Page No.
181067M1	61321	25	1884289M1	40246	4	376399X1	1640	29
181074M91	61319	25	1884376M1	1795	29	376450X1	4961	30
181076M91	61319	25	1884857M91	40557	19	377170M1	51862	6
181087M91	60023	25	1885486M91	40193	6	377185X1	40362	16
181095M1	60449	25	1885489M91	40034	2	377185X1	41328	16
181141M91	60693	21	1890319M1	1785	26	505545M92	60791	9
181217M3	3352	25	1896000M91	40535	12	506020M91	40286	5
181229M5	1700	30	190705M1	42731	2	506902M92	4342	33
181247M1	42020	27	191142M1	40246	4	506902M92	42784	33
181249M3	40911	27	191929M92	61128	37	506902M92	61171	33
181260M1	1751	27	192007M1	41555	22	520858M1	40821	22
181304M1	66	32	192791M91	14449	8	521031M91	41876	2
181328M1	1755	4	193092M1	536	29	526904M91	42068	36
181330M91	61599	36	193181M1	539	29	554314M91	42359	14
181344M2	539	29	193181M1	15174	30	554314M91	60928	14
181345M1	240	29	194046M91	41876	2	554316M91	42360	14
181346M1	235	28	195175M1	40226	6	554316M91	60929	14
181347M1	389	28	195207M1	65335	21	554317M91	42361	14
181349M1	225	29	195239M1	1406	32	554317M91	60930	14
181354M1	41046	32	195239M1	41049	32	554318M91	42425	14
181468M1	61323	25	195239M1+	41046	32	554318M91	60931	14
181528M1	42719	13	195457M1	537	29	554319M91	60932	14
181582M91	42161	7	195490M1	1756	4	554320M91	42362	15
181623M1	42410	3	195592M1	40290	5	554320M91	60933	15
181679M1	60821	35	195644M1	538	12	554322M91	42363	15
181715M1	60094	20	195646M91	30	30	554322M91	60934	15
182278M1	41554	26	195647M1	73	30	554323M91	42364	15
182345M1	60517	3	195648M1	1115	29	554323M91	60935	15
182554M92	40968	28	200191M1	821	4, 6, 29	554324M91	42426	15
182850M1	40107	7	22703/22791	41157	33	554325M91	60936	15
183219M91	60246	6	24T2	42540	19	554326M91	42366	14
183254M1	40922	27	28G	42541	20	554327M91	42499	14
184592M1	40740	26	2951X	2911	5	554328M91	42368	15
1850167M91	42685	20	3381907M1	4342	33	554328M91	42500	14
1850213M91	41564	26	3475308M1	8453	3	554329M91	42369	15
1850217M1	42067	26	350355X1	2922	6	554329M91	42501	14
1850224M91	2967	4	353426X1	1072	6	554330M91	42370	15
1850450M2	40540	19	353427X1	1002	6, 36	554330M91	42502	14
1851062M91	4163	26	353427X1	4352	5	554331M91	42371	15
1851095M2	8440	13	353432X1	1067	6	554332M91	42367	15
185148M91	66515	25	353433X1	1033	36	570062M3	42377	34
1851533M91	18502	27	353567X1	4903	27	632948M92	61577	20
1853097M91	4342	33	353572X1	1075	6	640010M1	15981	8
185400M1	1751	27	353573X1+	1080	32	641696M1	40088	3
185775M1	18502	27	353573X1+	61019	32	646101M2	169	31
185776M1	18502	27	353623X1	40114	6	646102M1	177	31
185923M91	60802	21	353625X1	51862	6	646620M91	18516	27
1861024M1	41973	22	353648X1	8931	36	731008M1	40364	16
186819M91	60462	2	353774X1	4979	6	731192M1	40347	16
1881805M91	40034	2	353927X1	8933	30	739845M91	40404	10
1882916M1	40535	12	353928X1	40213	4	740407M1	40360	16
1882977M1	42170	5	354068X1	1501	4, 29	745823M91	40418	10
1882977M1	61133	5	354394X1	53802	7	768300M1	41318	25
1883335M2	40286	5	3637439M91	40357	16	810285M91	6	30
1883356M91	41477	36	3637675M1	8452	3	811201M91	2	30
1883356M91	66428	36	3638250M91	41876	2	817012M92	253	23
1884098M1	42233	13	3638342M91	41876	2	818017M1	40241	27
1884286M97	41478	36	375756X1	40362	16	824245M1	15804	8
1884287M97	41479	36	376267X1	40114	6	825002M1	42225	6

O.E. Equivalent	Sparex No.	Page No.	O.E. Equivalent	Sparex No.	Page No.	O.E. Equivalent	Sparex No.	Page No.
825002M1	60049	6	826958M91	42428	9	897104M91	41157	33
825003M1	40644	8	826960M1	40089	3	897137M92	42169	5
825004M1	42417	19	826990M91	42512	9	897137M92	42194	5
825007M1	42554	20	827143M91	42592	26	897363M1	2969	4
825064M1	1785	26	827168M1	60504	5	897414M91	15985	7
825102M1	538	12, 29	827501M91	61996	16	897415M91	15984	7
825111/2M1	42365	15	827615M91	42863	16	897677M1+	1080	32
825135M1	42418	17	827707M5	40827	26	897677M1+	61019	32
825136M1	42419	17	827877M1	40645	8	897726M1	42020	27
825140M1	42420	16	828123M1	40734	21	897751M91	41478	36
825146M1	42573	16	828217M1	4352	5	897752M91	41479	36
825157M91	42421	17	829029M1	42393	12, 18	898011M1	15549	8
825179M1	42689	16	829925M1	42372	34	898085M91	40243	4
825181M91	41876	2	829925M1	42376	34	899623M1	41486	5
825186M1	61906	12	829927M1	42374	34	963613M1	42170	5
825194M2	42394	13	829937M1	41169	34	963613M1	61133	5
825199M1	60909	17	830537M92	61877	26	CAV7111-44	40541	19
825208M1	41725	12	830631M91	61501	18	DDB163	41169	34
825216M1	42688	16	830862M91	40034	2	GA1773	18056	23
825236M1	61576	20	830862M91	60125	2	L86C	42611	34
825259M1	60193	12	830897M91	42367	15	L86C	61934	34
825369M1	61904	12	830898M91	42368	15	LA12	42377	34
825374M1	40075	2	830899M91	42366	14	LCRK928	61504	25
825377M1	42742	2	830900M91	42499	14	LRD101	41157	33
825378M91	42743	2	830901M91	42500	14	LRS157	60360	33
825388M1	61902	12	830902M91	42501	14	N21	42484	34
825395M2	60127	13	830903M91	42502	14	NCB120	41166	33
825452M1	42422	16	836543M91	60104	17	T09237	42784	33
825577M91	61598	36	841244M91	60545	12	USB104	41160	33
825608M1	61516	36	881144M1	41557	22	ZZ90011	40357	16
825633M91	42931	37	881396M91	4341	33			
825649M2	42487	17	882554M91	18516	27			
825654M1	41726	12	883303M1	53802	7			
825656M1	40023	3	890476M91	6300	8			
825667M1	41316	3	890543M1	41407	27			
825684M1	41317	3	890640M1	41416	27			
825695M91	41962	22	890664M1	61321	25			
825702M2	8452	3	890674M1	389	28			
825740M1	42195	17	890674M1	40937	28			
825776M1	40901	27	890674M1	48043	28			
825837M91	42363	15	890675M1	74010	25			
825837M91	60934	15	891035M1	60909	17			
825840M91	42362	15	891867M91	610	36			
825840M91	60933	15	891947M1	40900	27			
825864M1	42488	10	893007M1	42628	10			
825886M1	60909	17	893607M1	42161	7			
825890M91	42423	17	894291M91	2982	8			
825982M91	42364	15	894291M91	3119	8			
825982M91	60935	15	894291M91	6301	8			
825983M91	42426	15	894297M1	6314	8			
825984M91	60936	15	89429M91	2117	8			
826046M1	42233	13	894915M91	42631	18			
826048M1	61346	17	894916M91	40602	18			
826085M1	42502	14	894944M91	42369	15			
826089M1	61637	17	894945M91	42370	15			
826137M91	57751	12	894946M91	42371	15			
826239/40M1	42427	15	894947M91	42501	14			
826773M1	63097	2	894974M91	40540	19			
826941M91	42428	9	894976M91	57751	12			

